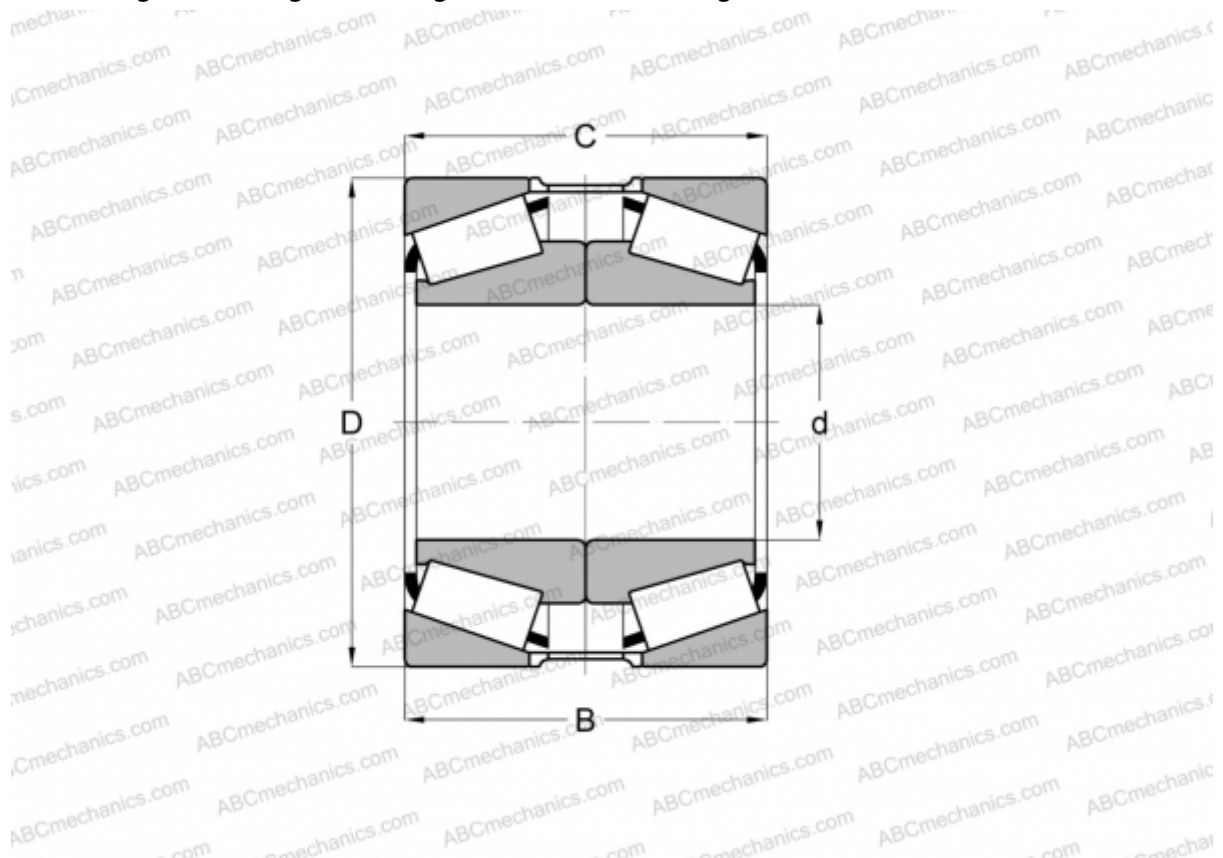


EE217062X/217112 + Y2S-217112 TIMKEN

Tapered roller bearings

TYPE: Roller bearings, Tapered, Tapered roller bearing assembly, Type 2TS-DM (O-mounting), two single row bearing, mounting inner ring, outer distance ring



Technical specification

DIMENSIONS, MM

d	158,750
D	285,750
B	146,050
T	152,400

WEIGHT, KG 39,700

MANUFACTURER [TIMKEN](#)