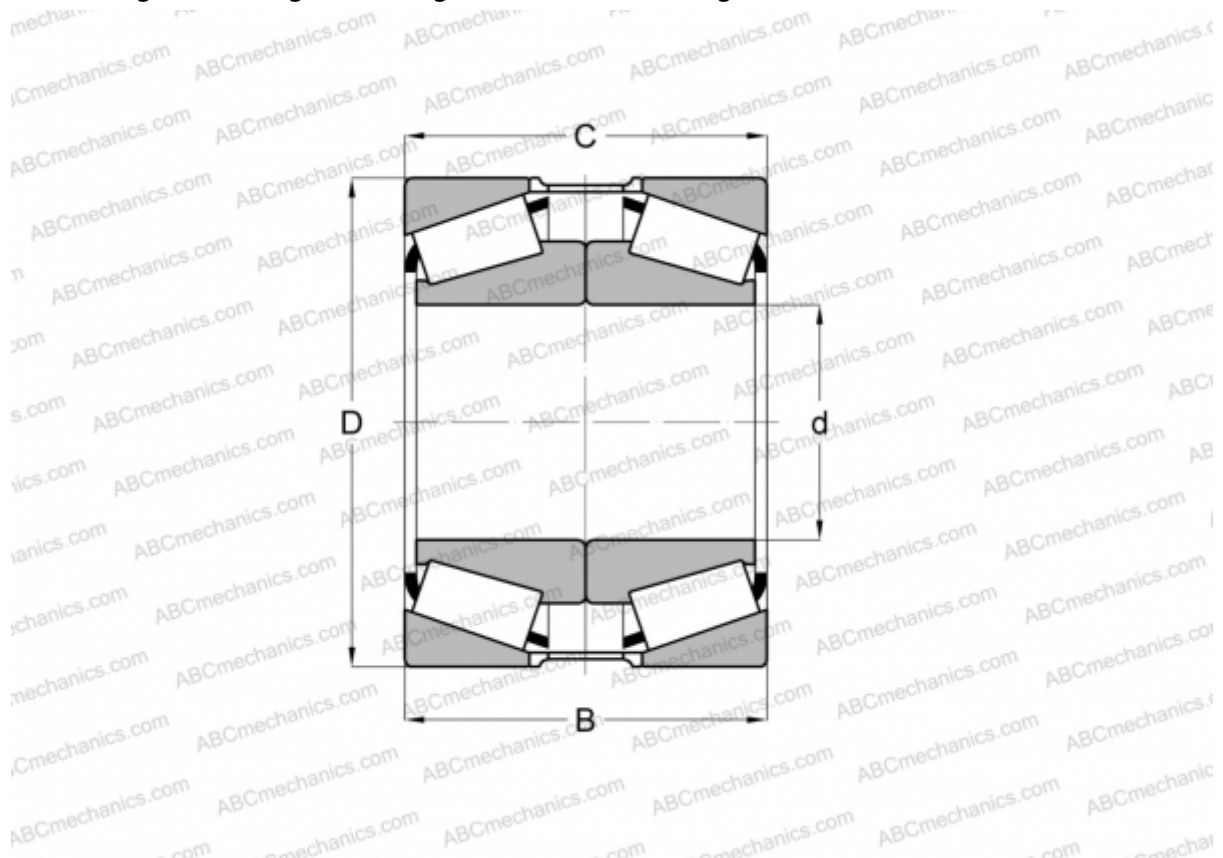


X32936M/Y32936M + K163398 TIMKEN

Tapered roller bearings

TYPE: Roller bearings, Tapered, Tapered roller bearing assembly, Type 2TS-DM (O-mounting), two single row bearing, mounting inner ring, outer distance ring



Technical specification

DIMENSIONS, MM

d	180,000
D	250,000
B	90,000
T	90,000

WEIGHT, KG 13,430

MANUFACTURER [TIMKEN](#)