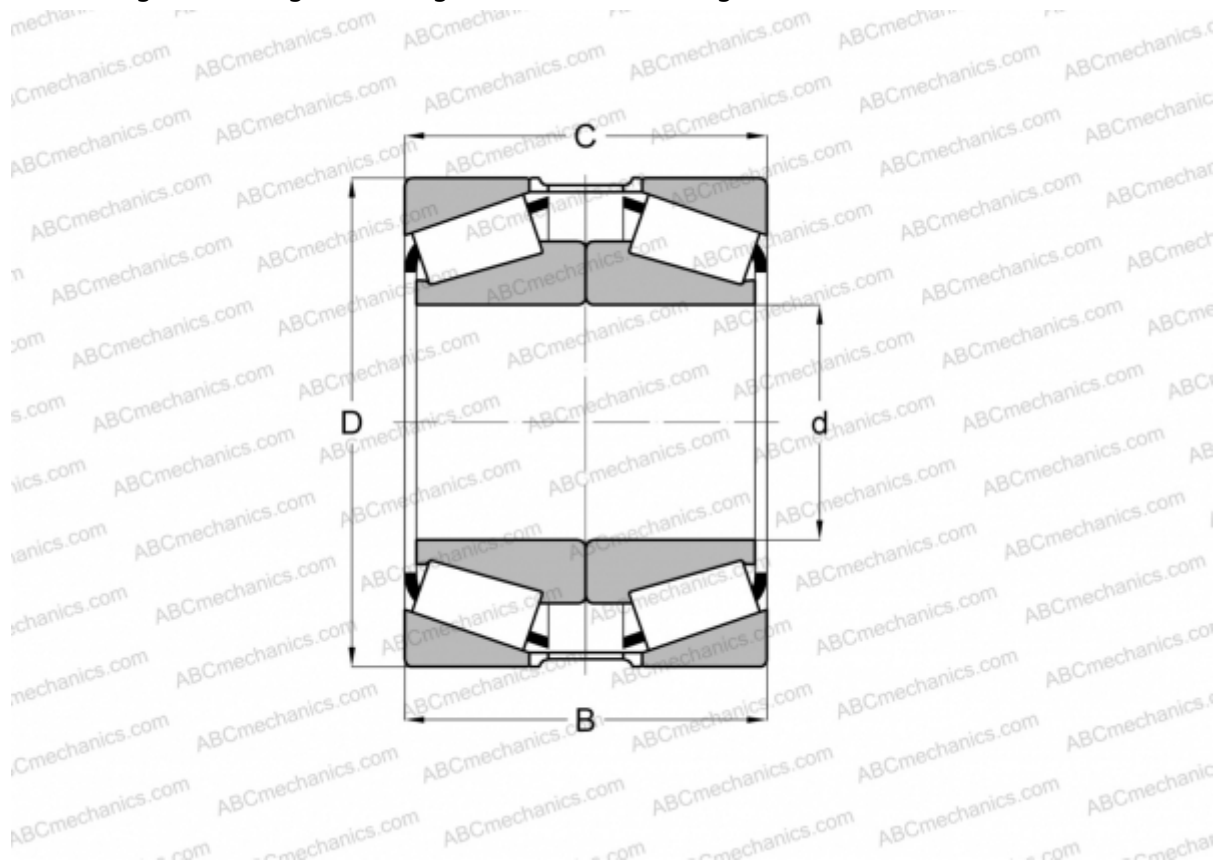


X32036XM/Y32036XM + K160264 TIMKEN

Tapered roller bearings

TYPE: Roller bearings, Tapered, Tapered roller bearing assembly, Type 2TS-DM (O-mounting), two single row bearing, mounting inner ring, outer distance ring



Technical specification

DIMENSIONS, MM

d	180,000
D	280,000
B	128,000
T	128,000

WEIGHT, KG 28,800

MANUFACTURER [TIMKEN](#)