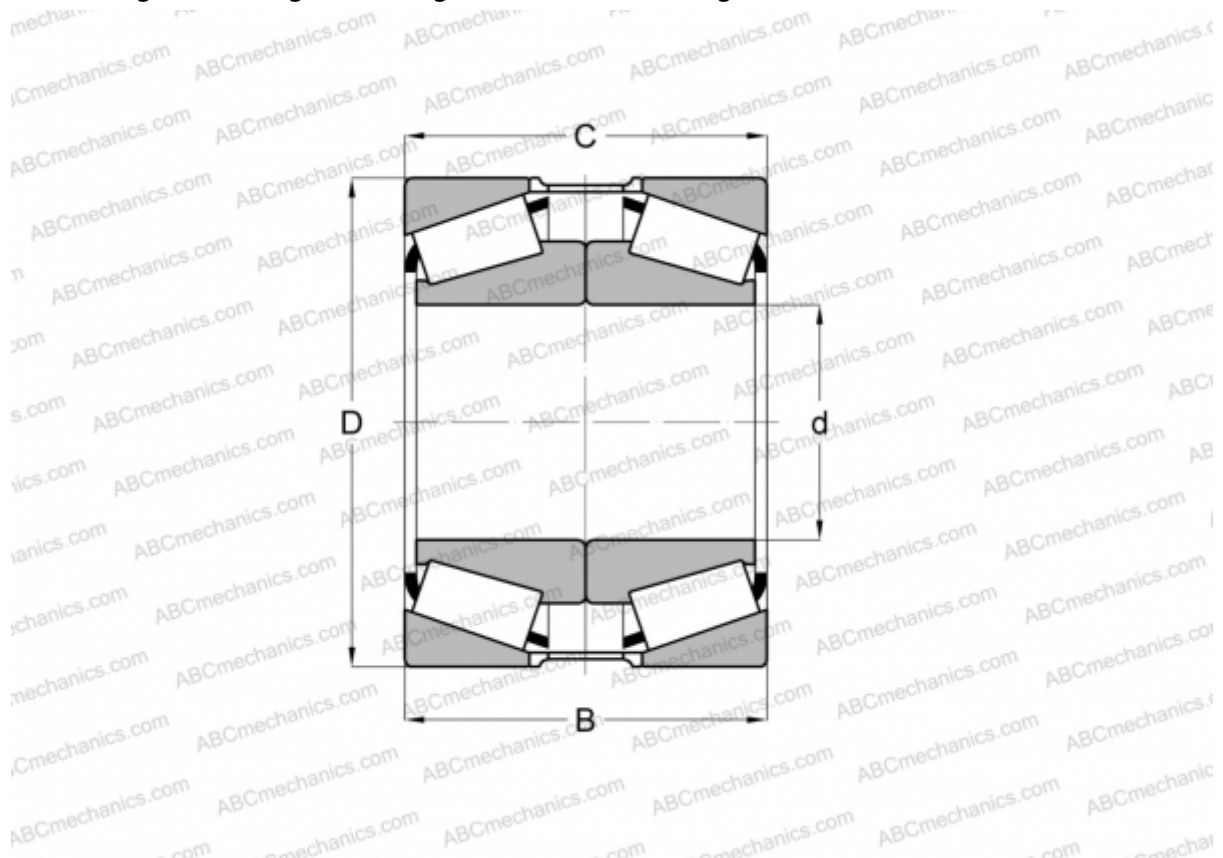


88900/88126 + Y1S-88126 TIMKEN

Tapered roller bearings

TYPE: Roller bearings, Tapered, Tapered roller bearing assembly, Type 2TS-DM (O-mounting), two single row bearing, mounting inner ring, outer distance ring



Technical specification

DIMENSIONS, MM

d	228,600
D	320,675
B	98,424
T	101,600

WEIGHT, KG 23,730

MANUFACTURER [TIMKEN](#)