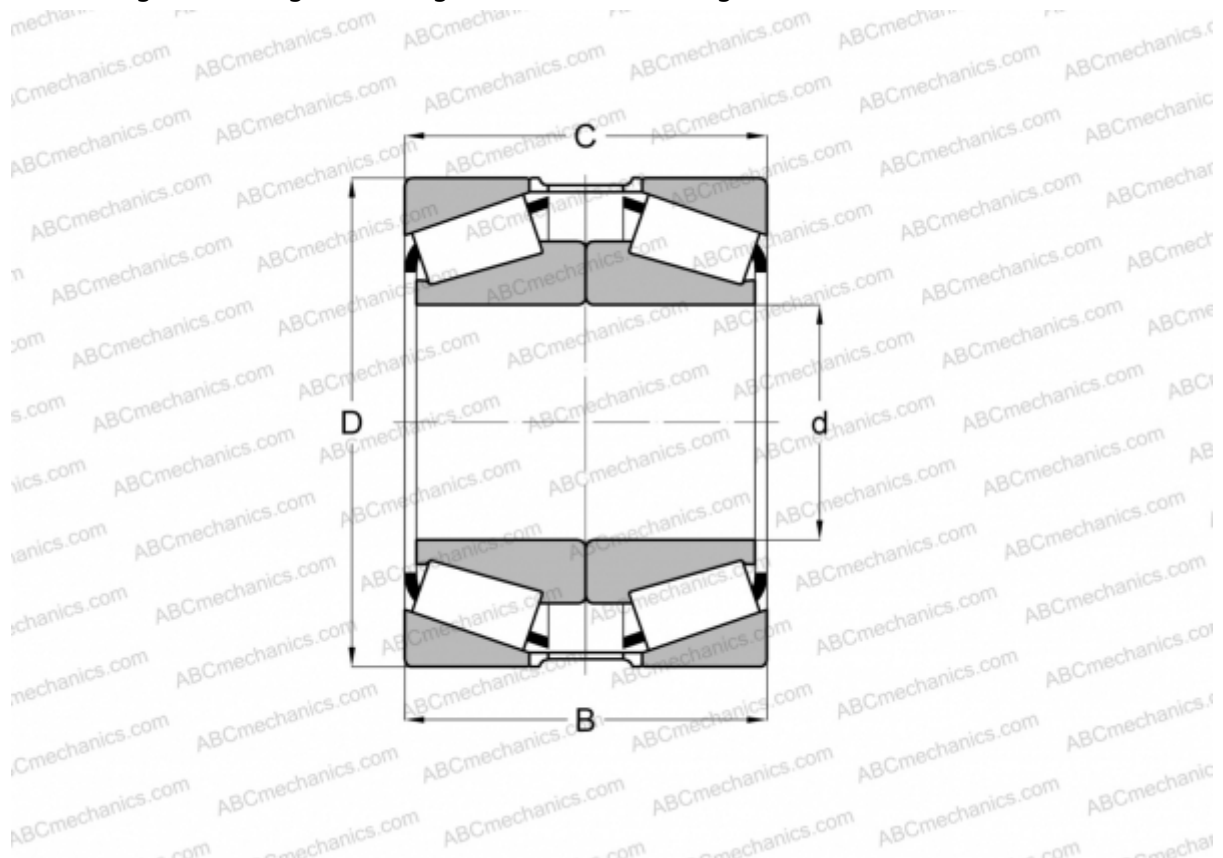


HH249949/HH249910 + HH249910ES TIMKEN

Tapered roller bearings

TYPE: Roller bearings, Tapered, Tapered roller bearing assembly, Type 2TS-DM (O-mounting), two single row bearing, mounting inner ring, outer distance ring



Technical specification

DIMENSIONS, MM

d	247,650
D	406,400
B	234,950
T	231,775

WEIGHT, KG 125,290

MANUFACTURER [TIMKEN](#)