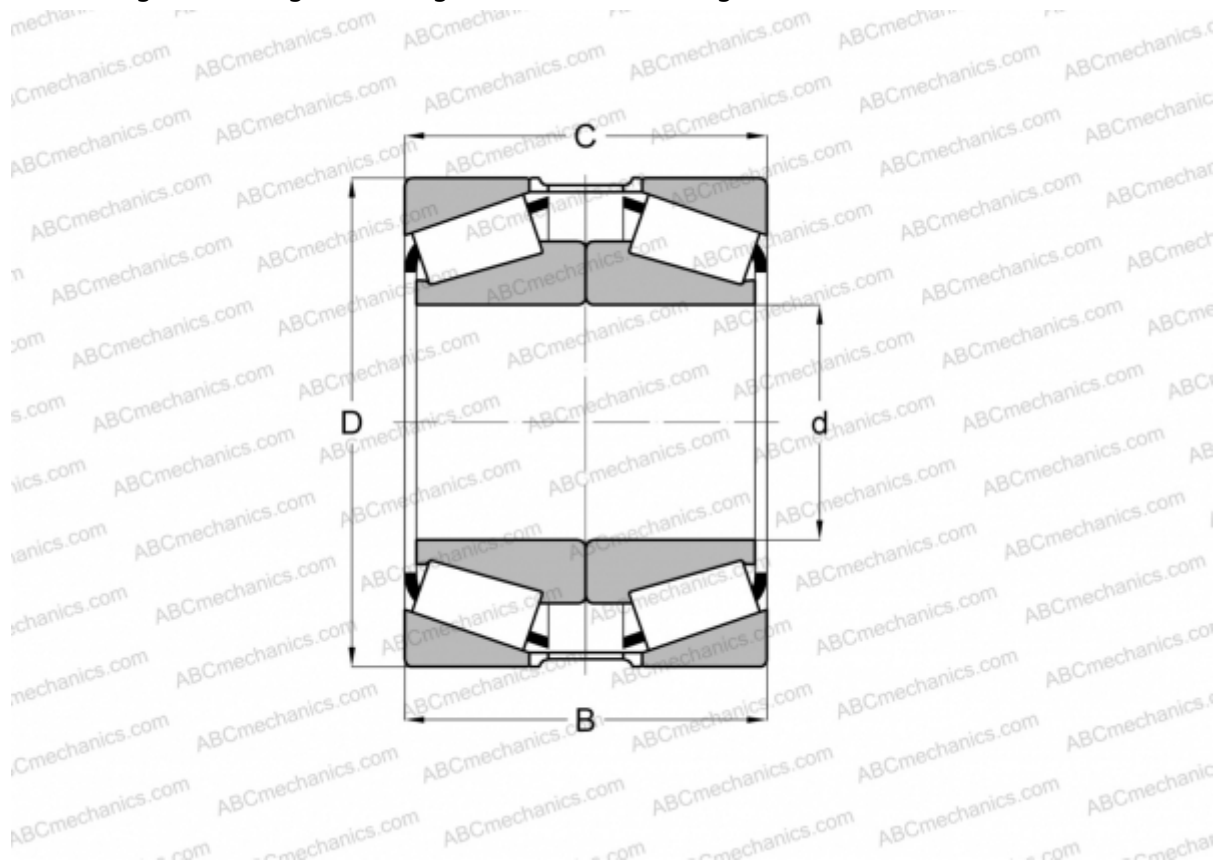


## HH953749/HH953710 + K85370 TIMKEN

Tapered roller bearings

TYPE: Roller bearings, Tapered, Tapered roller bearing assembly, Type 2TS-DM (O-mounting), two single row bearing, mounting inner ring, outer distance ring



### Technical specification

#### DIMENSIONS, MM

d	254,000
D	533,400
B	241,300
T	266,700

**WEIGHT, KG** 275,730

**MANUFACTURER** [TIMKEN](#)