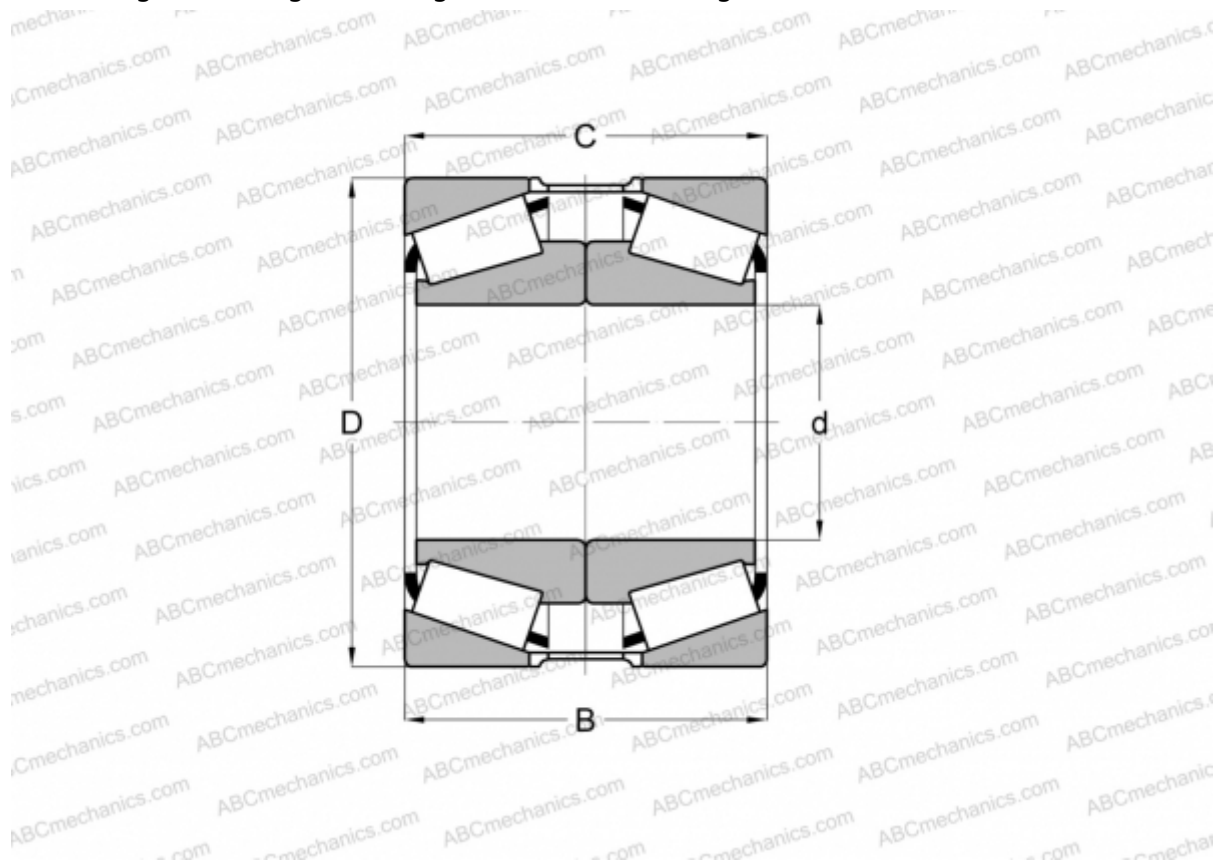


## 80480/80425 + Y3S-80425 TIMKEN

Tapered roller bearings

TYPE: Roller bearings, Tapered, Tapered roller bearing assembly, Type 2TS-DM (O-mounting), two single row bearing, mounting inner ring, outer distance ring



### Technical specification

#### DIMENSIONS, MM

d	482,600
D	615,950
B	92,076
T	107,950

**WEIGHT, KG** 74,570

**MANUFACTURER** [TIMKEN](#)