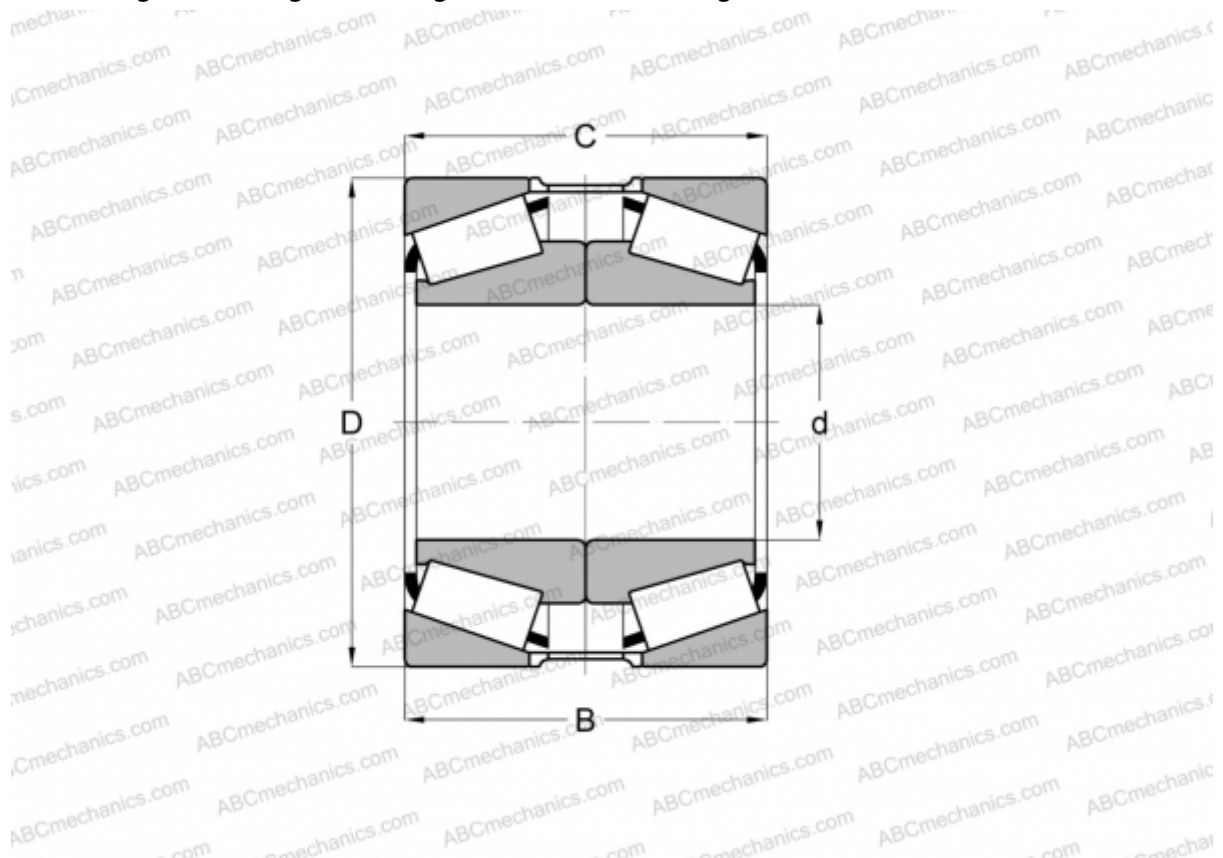


NP378108/NP676901 + K165076 TIMKEN

Tapered roller bearings

TYPE: Roller bearings, Tapered, Tapered roller bearing assembly, Type 2TS-DM (O-mounting), two single row bearing, mounting inner ring, outer distance ring



Technical specification

DIMENSIONS, MM

d	560,000
D	1080,000
B	470,000
T	530,022

WEIGHT, KG 2182,150

MANUFACTURER [TIMKEN](#)