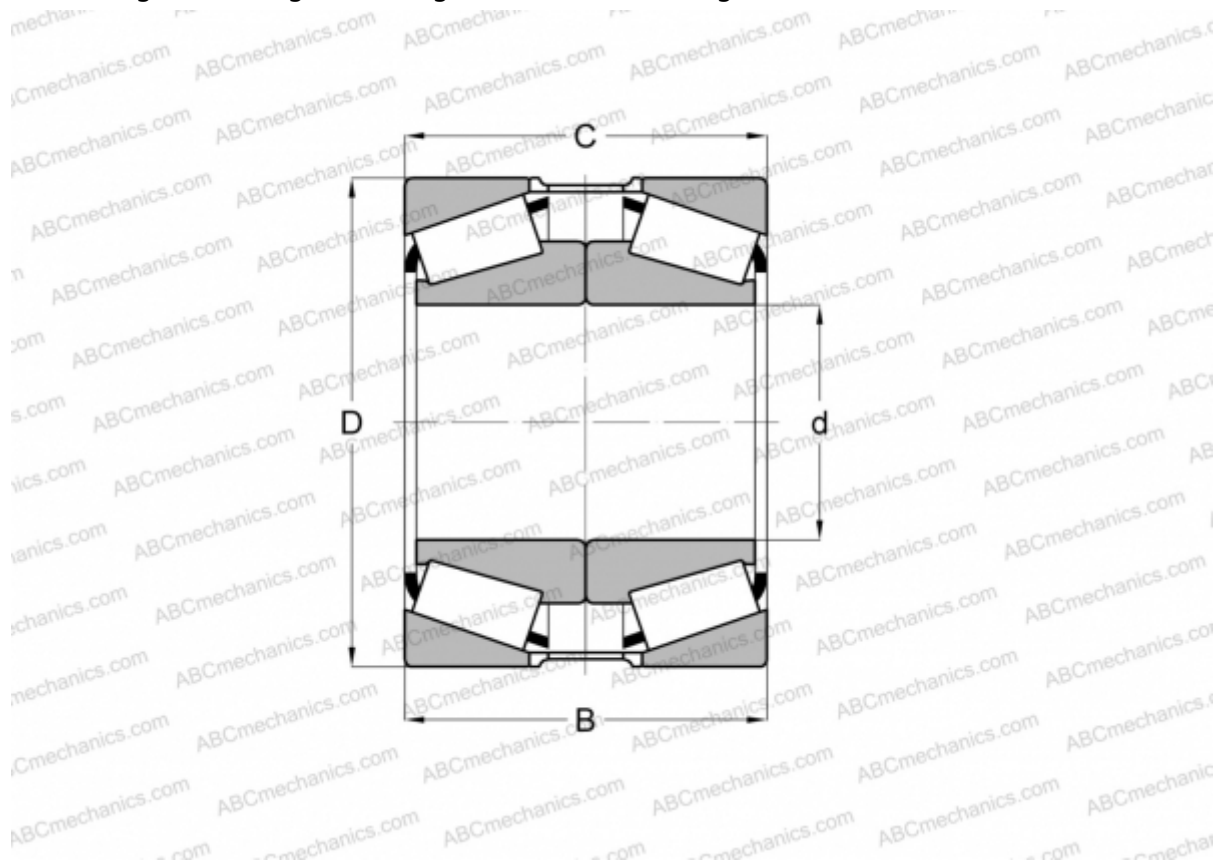


## NP194866/NP089744 + K167026 TIMKEN

Tapered roller bearings

TYPE: Roller bearings, Tapered, Tapered roller bearing assembly, Type 2TS-DM (O-mounting), two single row bearing, mounting inner ring, outer distance ring



### Technical specification

#### DIMENSIONS, MM

d	710,000
D	950,000
B	212,000
T	226,000

**WEIGHT, KG** 445,680

**MANUFACTURER** [TIMKEN](#)