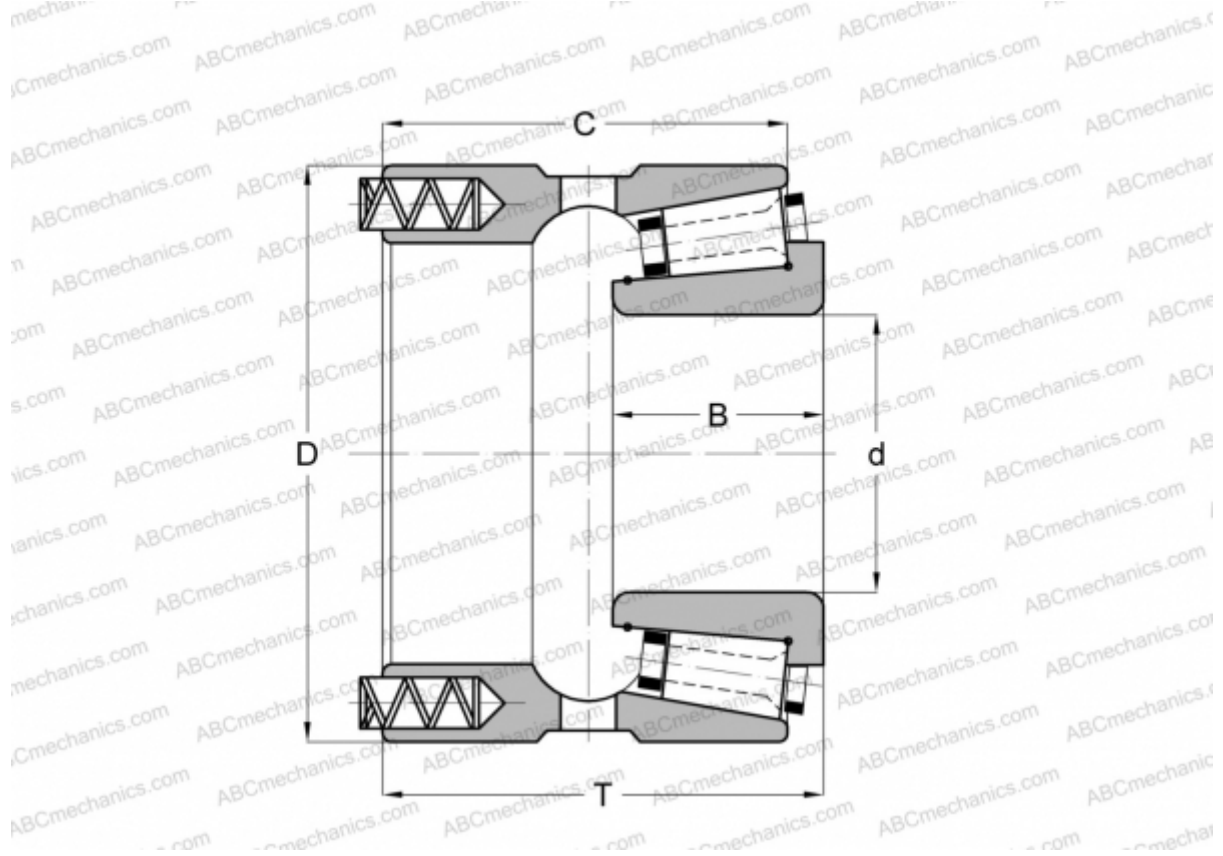


80033X/80068P GAMET

Tapered roller bearings

TYPE: Roller bearings, Tapered, Precision, GAMET type P, constant preload



Technical specification

DIMENSIONS, MM

| | |
|---|--------|
| d | 33,338 |
| D | 68,000 |
| B | 23,500 |
| T | 47,240 |
| C | 42,480 |

WEIGHT, KG 0,630

MANUFACTURER [GAMET](#)