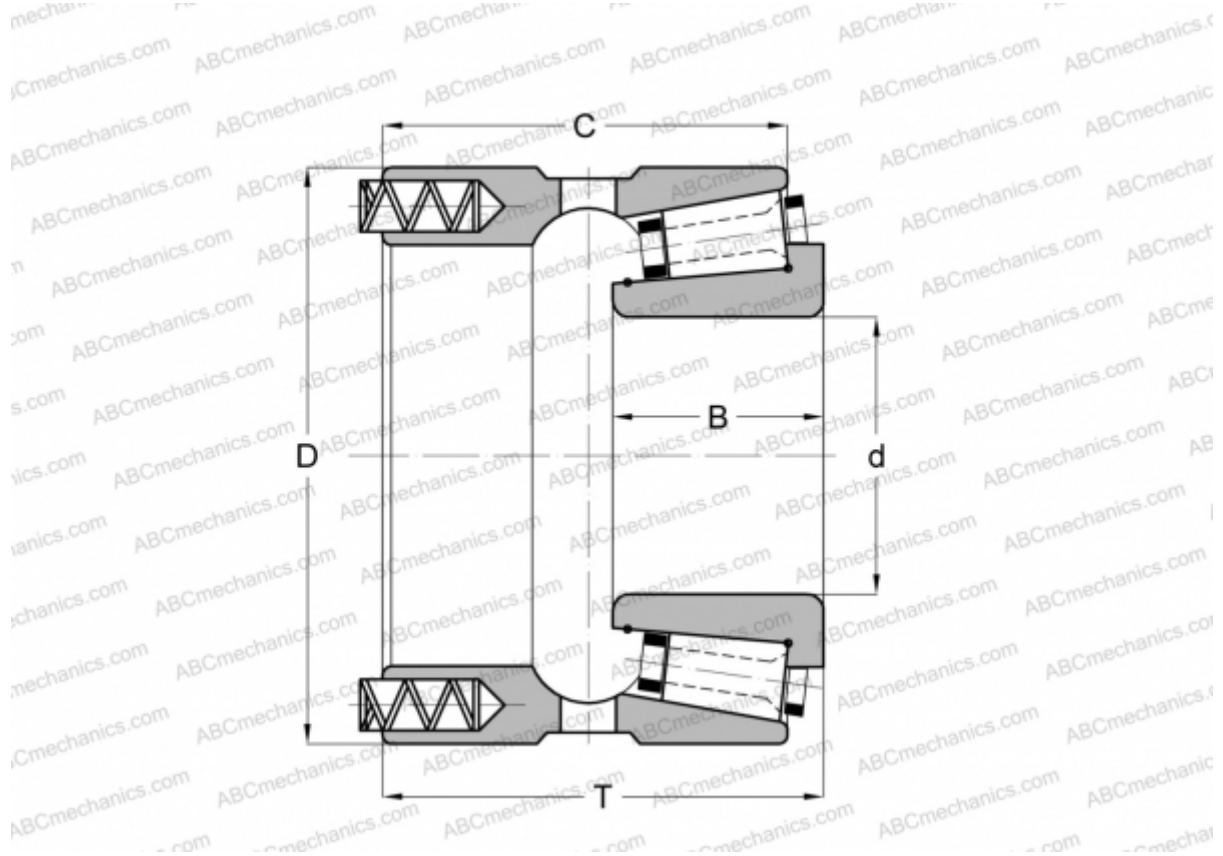


## 110050/110096XP GAMET

Tapered roller bearings

TYPE: Roller bearings, Tapered, Precision, GAMET type P, constant preload



### Technical specification

#### DIMENSIONS, MM

|   |        |
|---|--------|
| d | 50,000 |
| D | 96,838 |
| B | 29,500 |
| T | 59,500 |
| C | 54,000 |

**WEIGHT, KG** 1,630

**MANUFACTURER** [GAMET](#)