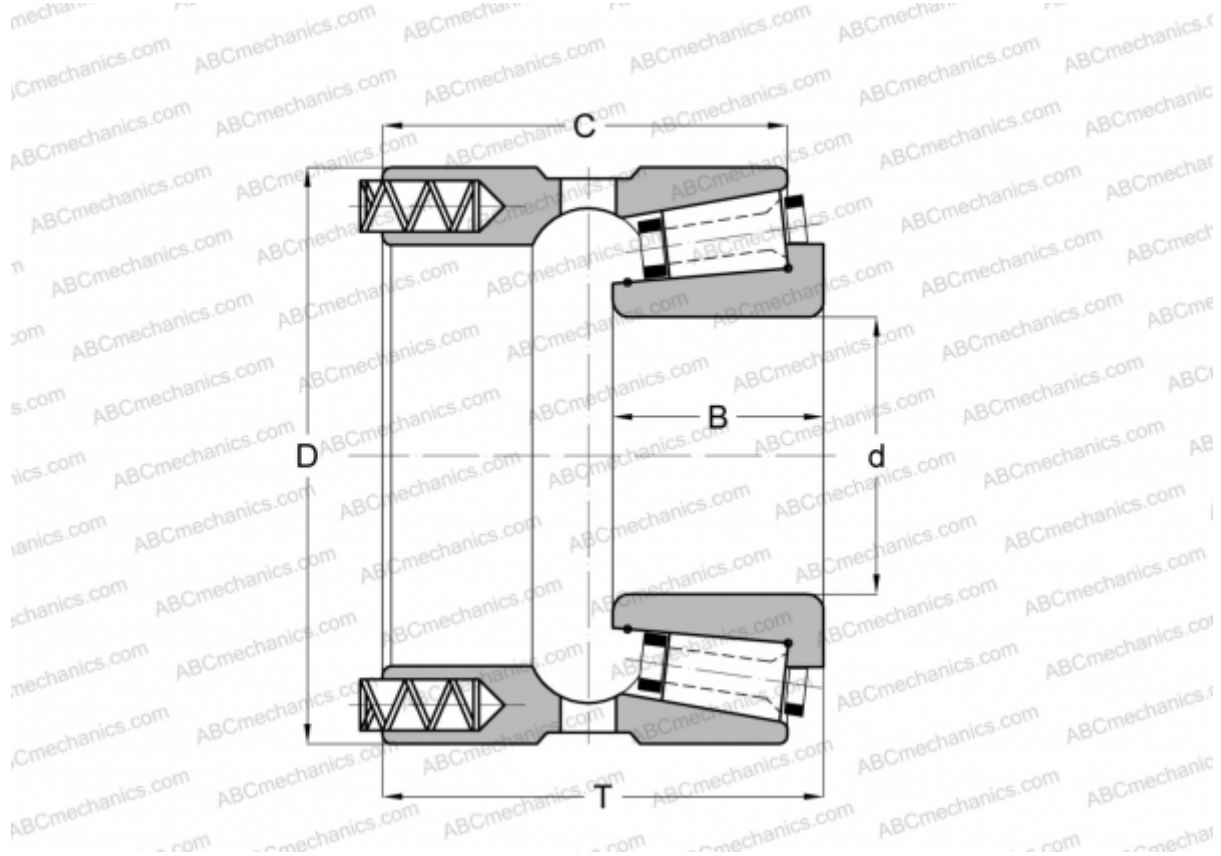


110053X/110100P GAMET

Tapered roller bearings

TYPE: Roller bearings, Tapered, Precision, GAMET type P, constant preload



Technical specification

DIMENSIONS, MM

d	53,975
D	100,000
B	29,500
T	59,500
C	54,000

WEIGHT, KG 1,630

MANUFACTURER [GAMET](#)