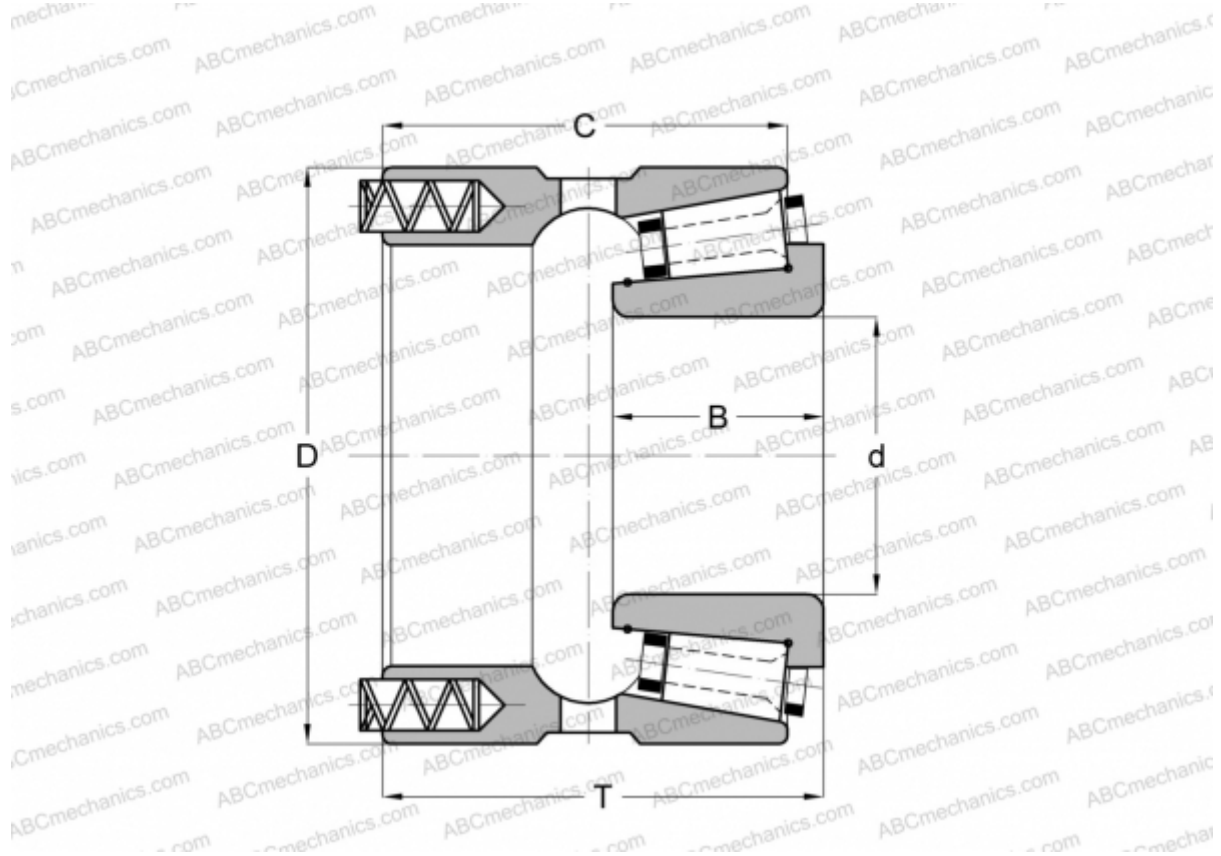


## 110057X/110100P GAMET

Tapered roller bearings

TYPE: Roller bearings, Tapered, Precision, GAMET type P, constant preload



### Technical specification

#### DIMENSIONS, MM

d	57,150
D	100,000
B	29,500
T	59,500
C	54,000

**WEIGHT, KG** 1,630

**MANUFACTURER** [GAMET](#)