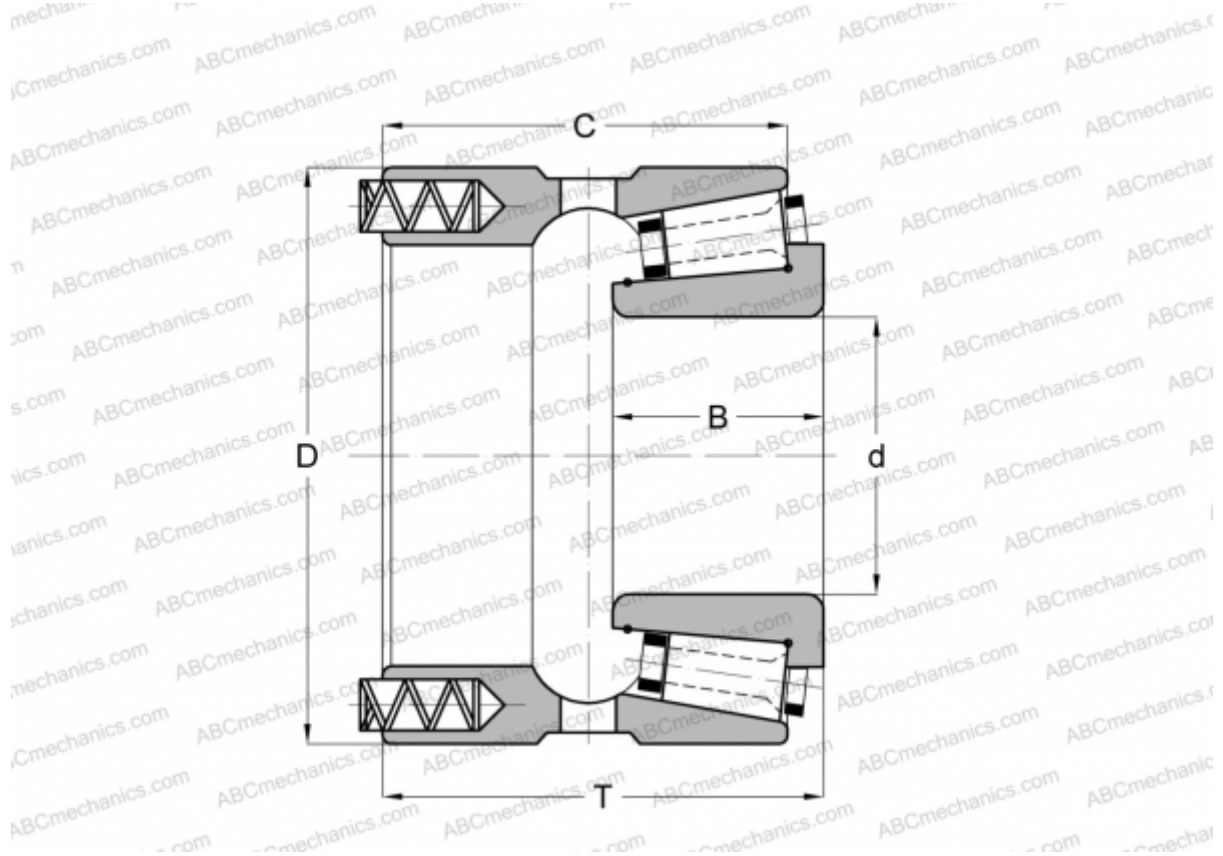


113060/113100P GAMET

Tapered roller bearings

TYPE: Roller bearings, Tapered, Precision, GAMET type P, constant preload



Technical specification

DIMENSIONS, MM

d	60,000
D	100,000
B	26,500
T	52,440
C	46,880

WEIGHT, KG 1,380

MANUFACTURER [GAMET](#)