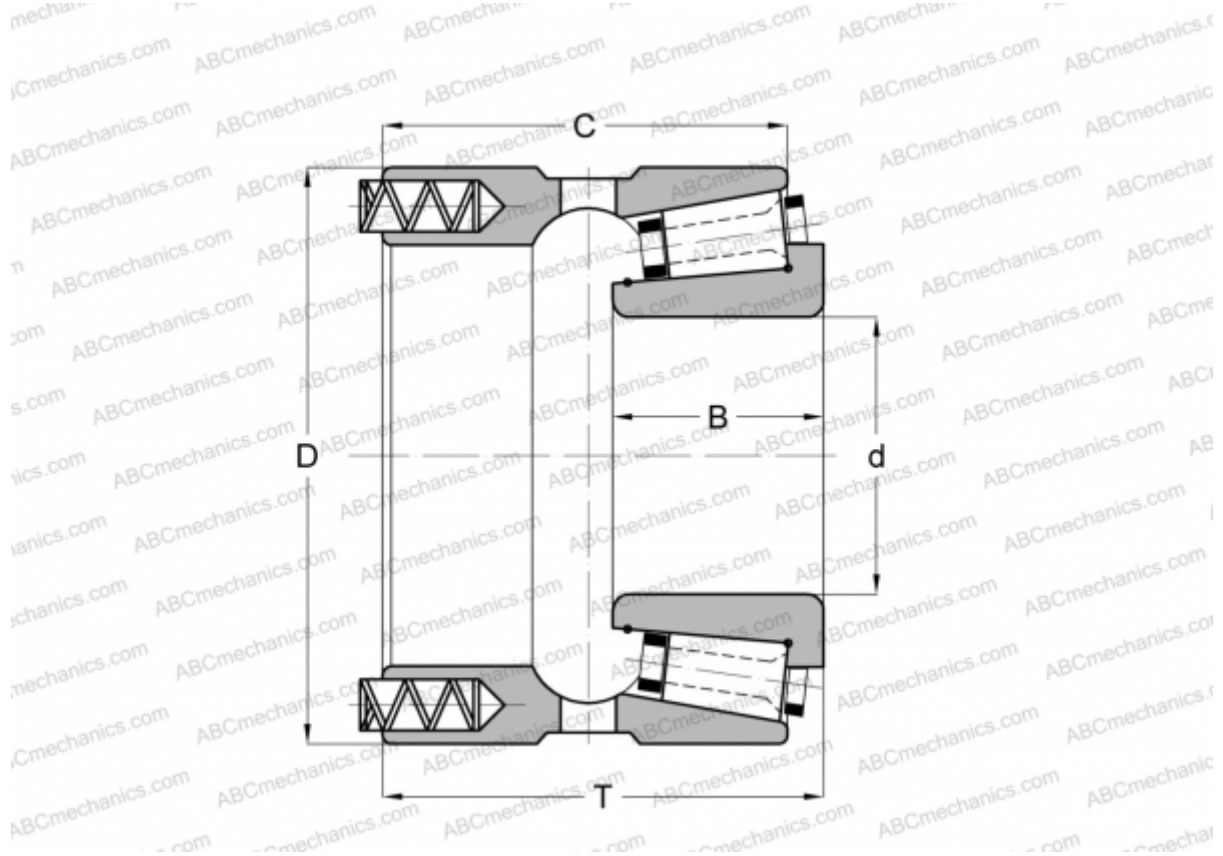


180100/180170P GAMET

Tapered roller bearings

TYPE: Roller bearings, Tapered, Precision, GAMET type P, constant preload



Technical specification

DIMENSIONS, MM

| | |
|---|---------|
| d | 100,000 |
| D | 170,000 |
| B | 46,000 |
| T | 92,000 |
| C | 84,000 |

WEIGHT, KG 7,670

MANUFACTURER [GAMET](#)