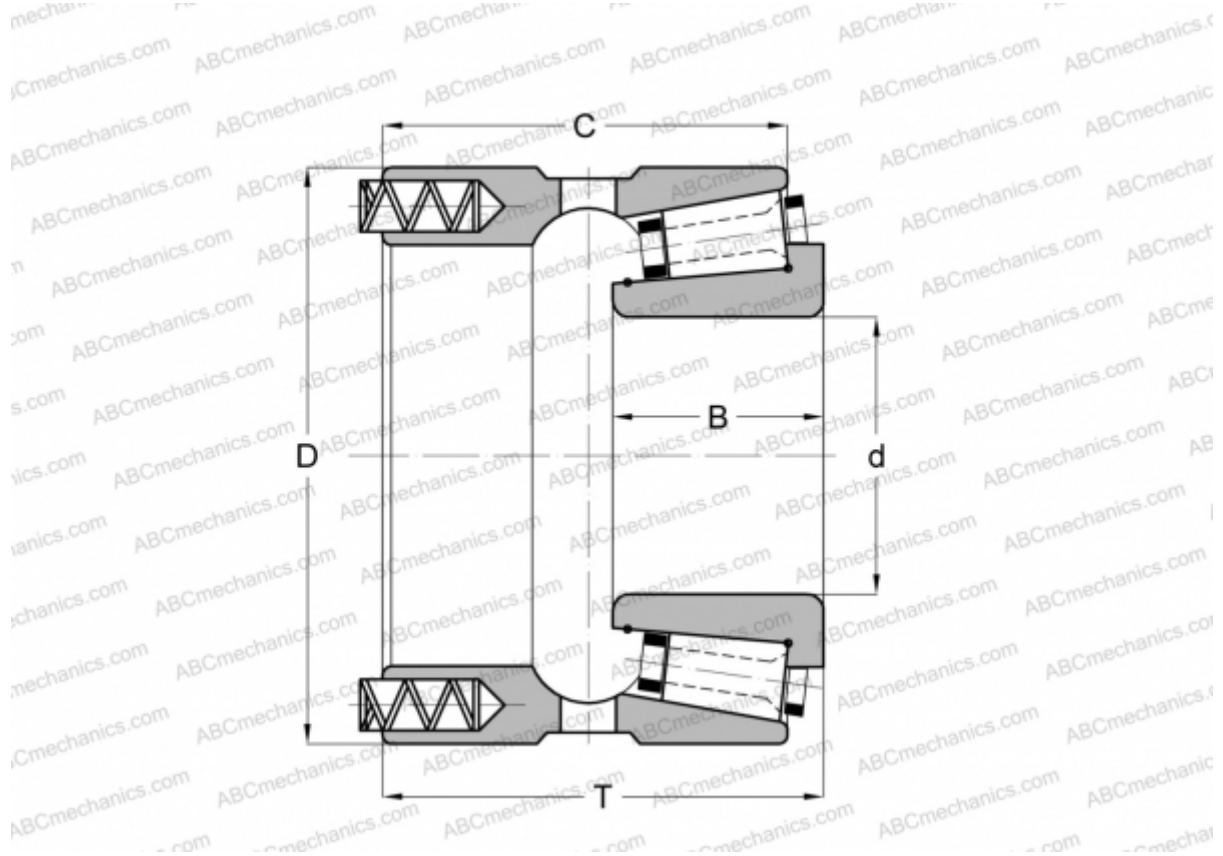


## 105115/105165P GAMET

Tapered roller bearings

TYPE: Roller bearings, Tapered, Precision, GAMET type P, constant preload



### Technical specification

#### DIMENSIONS, MM

d	115,000
D	165,000
B	31,000
T	60,000
C	55,000

**WEIGHT, KG** 2,850

**MANUFACTURER** [GAMET](#)