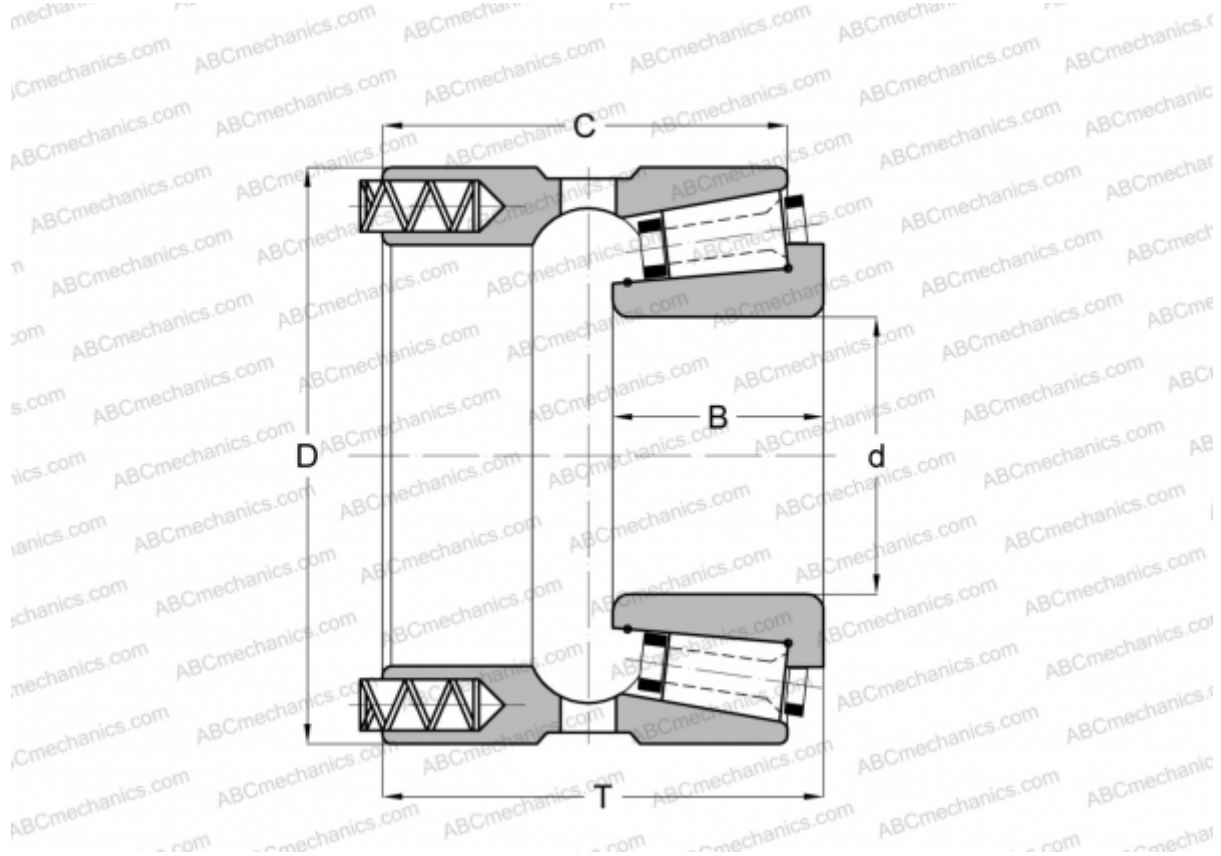


181115/181190XP GAMET

Tapered roller bearings

TYPE: Roller bearings, Tapered, Precision, GAMET type P, constant preload



Technical specification

DIMENSIONS, MM

d	115,000
D	190,500
B	50,000
T	95,300
C	82,600

WEIGHT, KG 8,530

MANUFACTURER [GAMET](#)