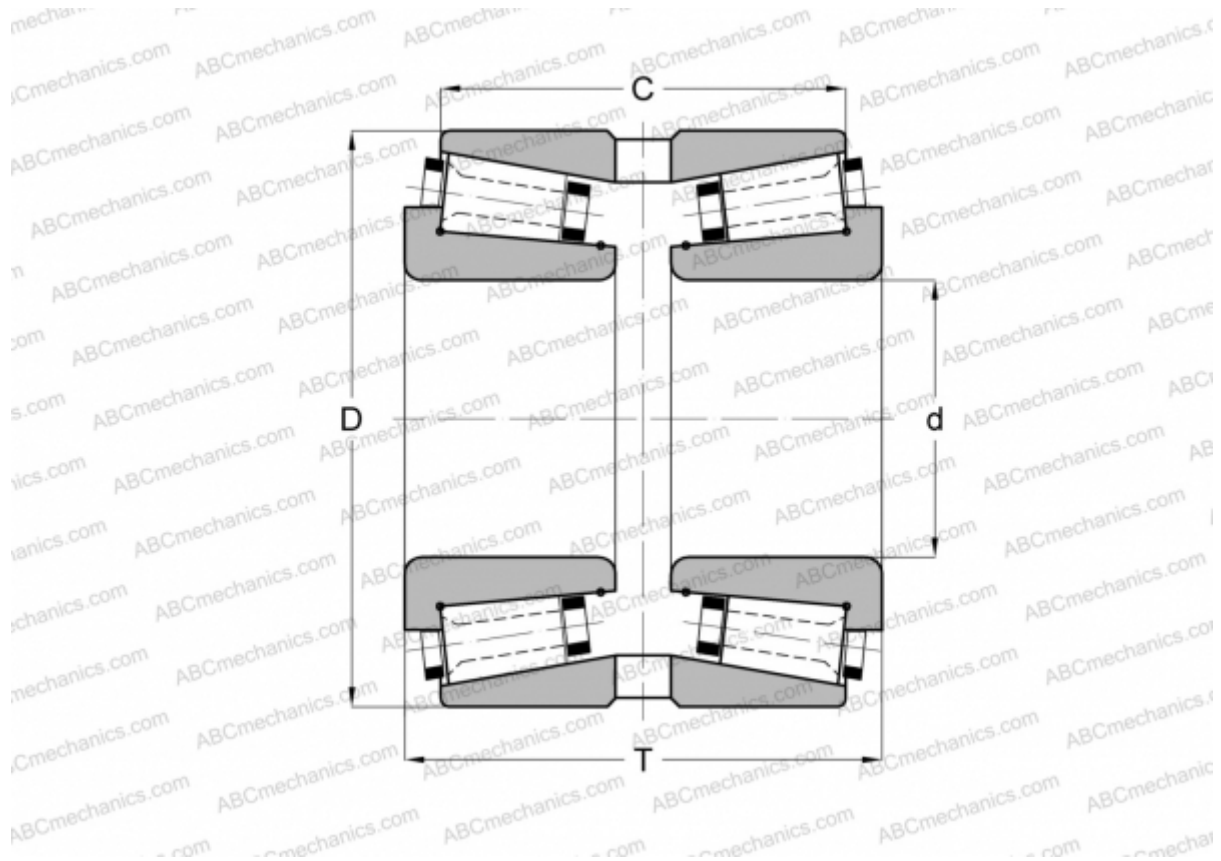


## 100035/100072G GAMET

Tapered roller bearings

TYPE: Roller bearings, Tapered, Precision, GAMET type G, double-row



### Technical specification

#### DIMENSIONS, MM

d	35,000
D	72,000
T	57,000
C	46,500

**WEIGHT, KG** 0,825

**MANUFACTURER** [GAMET](#)