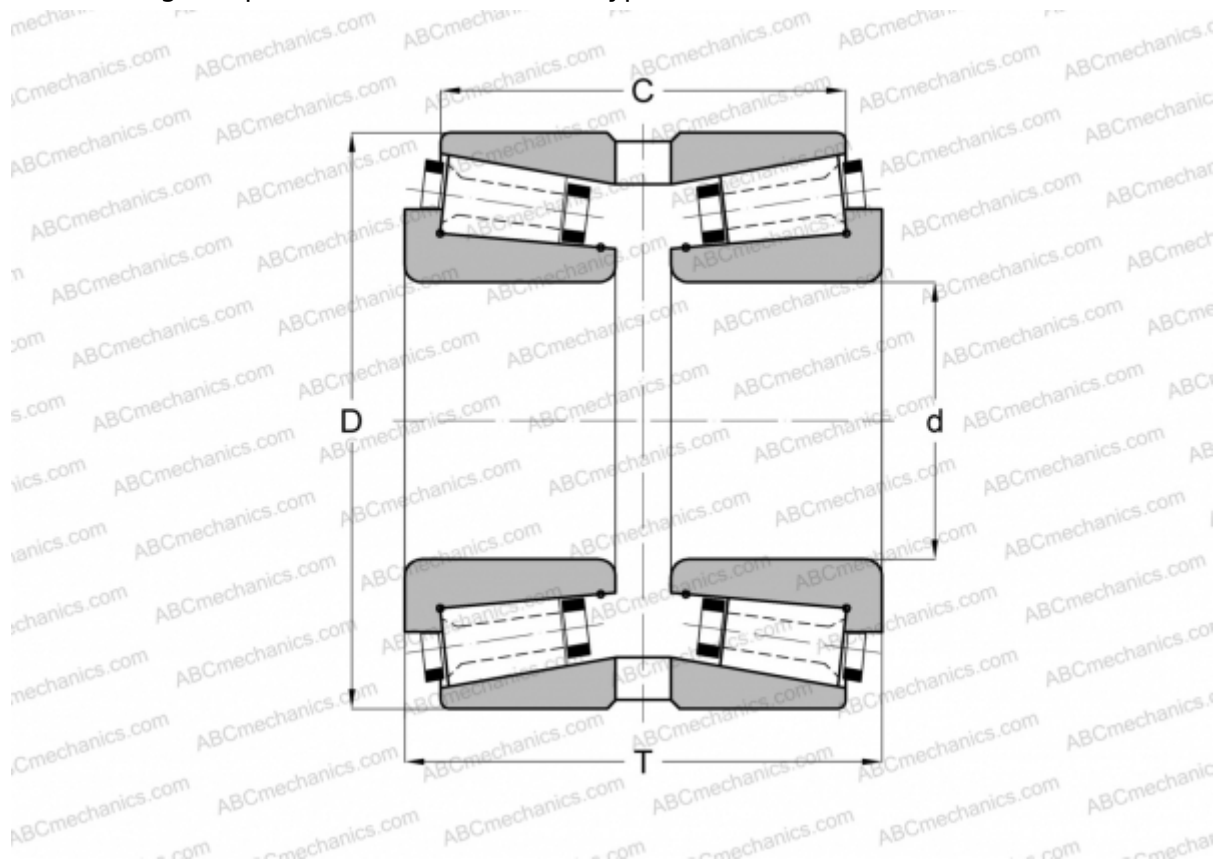


## 101038X/101080G GAMET

Tapered roller bearings

TYPE: Roller bearings, Tapered, Precision, GAMET type G, double-row



### Technical specification

#### DIMENSIONS, MM

d	38,100
D	80,000
T	57,000
C	45,500

**WEIGHT, KG** 0,850

**MANUFACTURER** [GAMET](#)