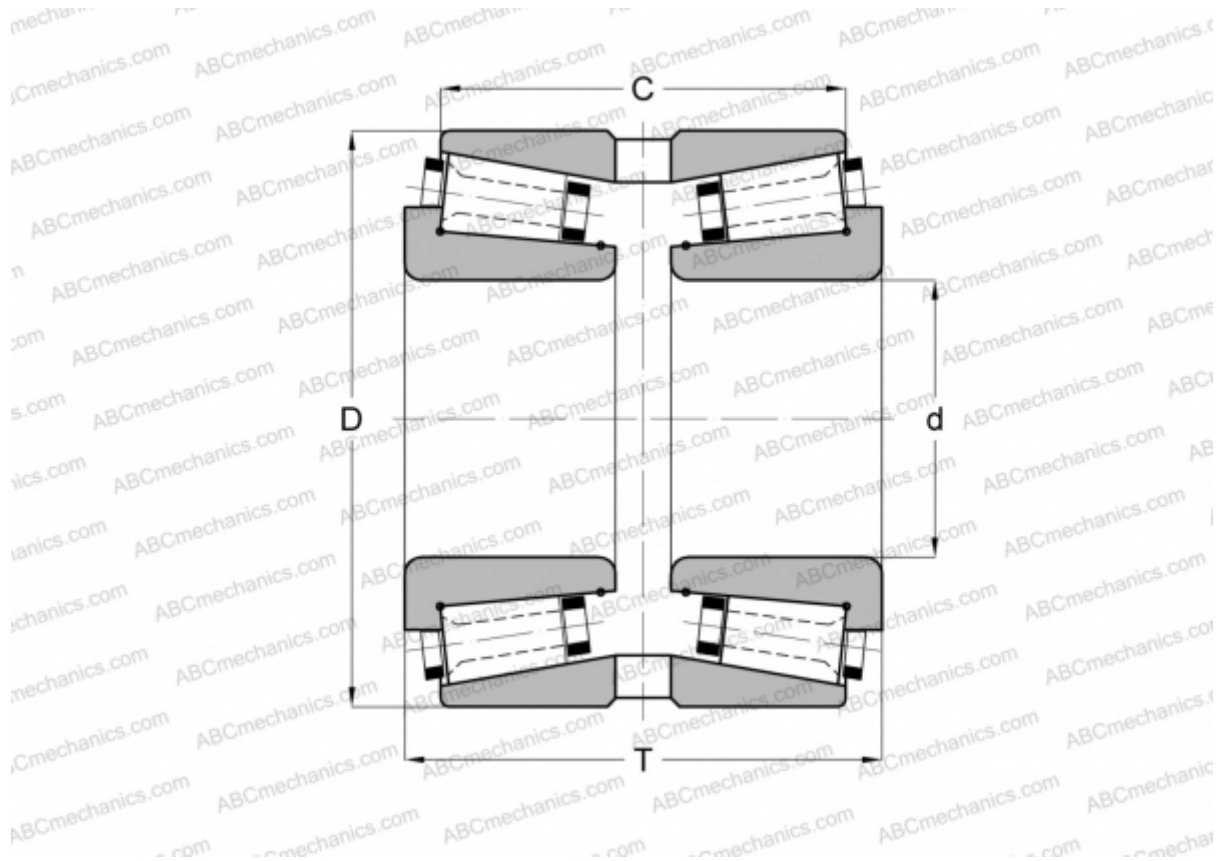


123075/123123XG GAMET

Tapered roller bearings

TYPE: Roller bearings, Tapered, Precision, GAMET type G, double-row



Technical specification

DIMENSIONS, MM

d	75,000
D	123,825
T	64,000
C	49,700

WEIGHT, KG 2,250

MANUFACTURER [GAMET](#)