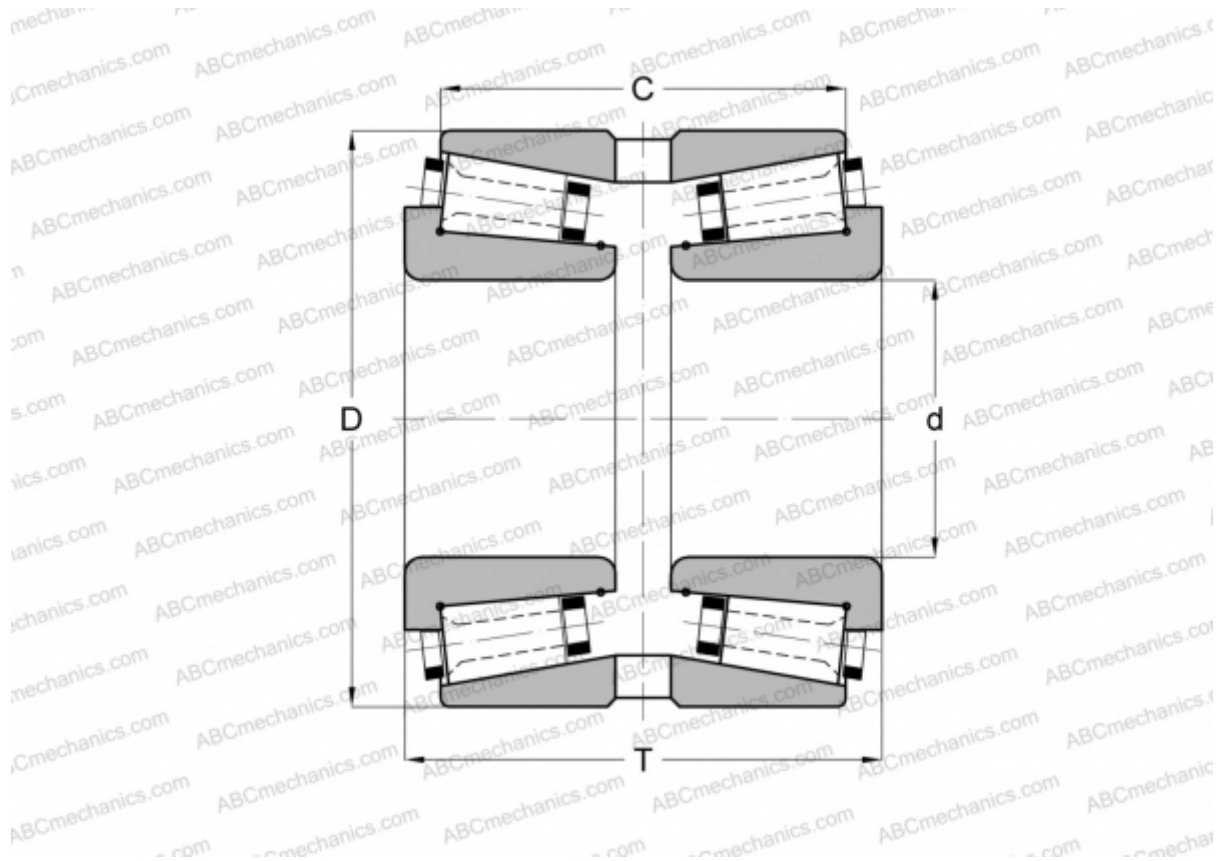


180105/180190G GAMET

Tapered roller bearings

TYPE: Roller bearings, Tapered, Precision, GAMET type G, double-row



Technical specification

DIMENSIONS, MM

d	105,000
D	190,000
T	100,000
C	84,000

WEIGHT, KG 10,500

MANUFACTURER [GAMET](#)