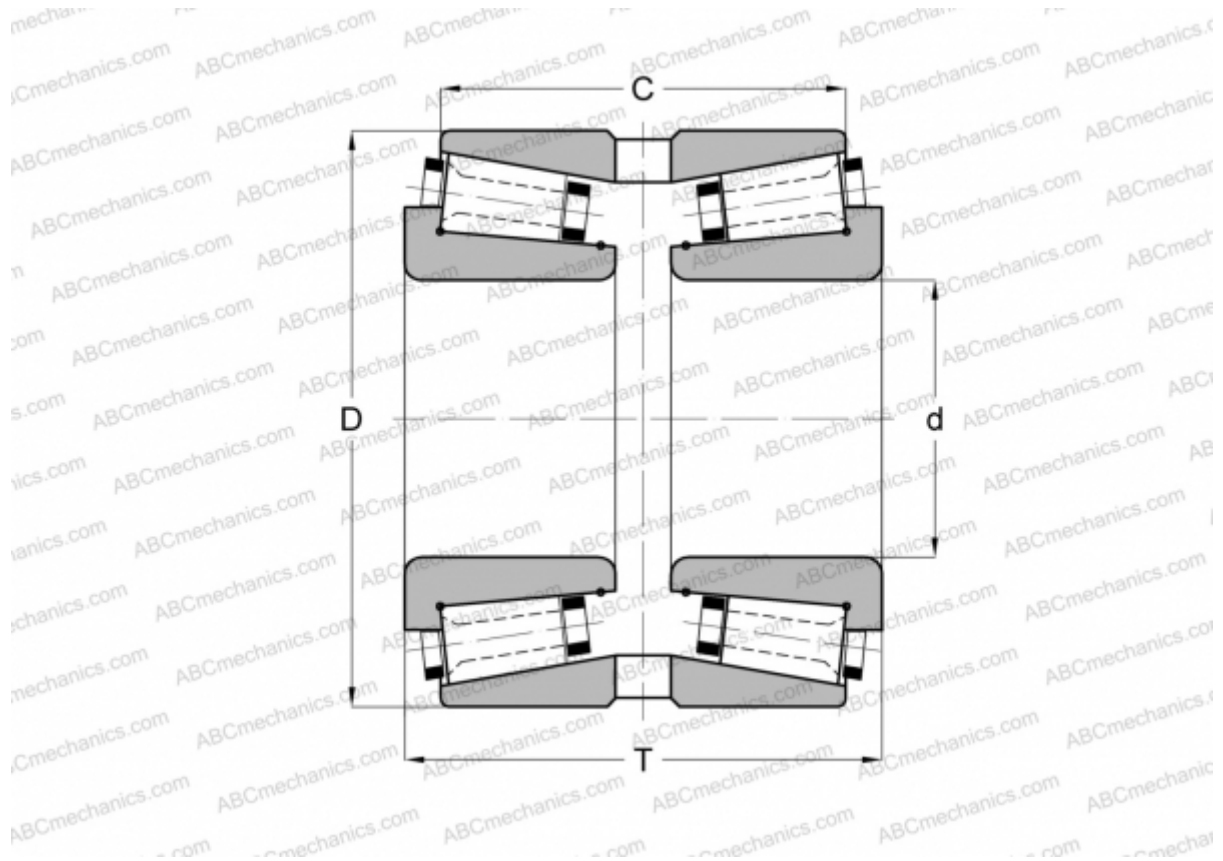


200127X/200215G GAMET

Tapered roller bearings

TYPE: Roller bearings, Tapered, Precision, GAMET type G, double-row



Technical specification

DIMENSIONS, MM

d	127,000
D	215,000
T	110,000
C	92,000

WEIGHT, KG 13,540

MANUFACTURER [GAMET](#)