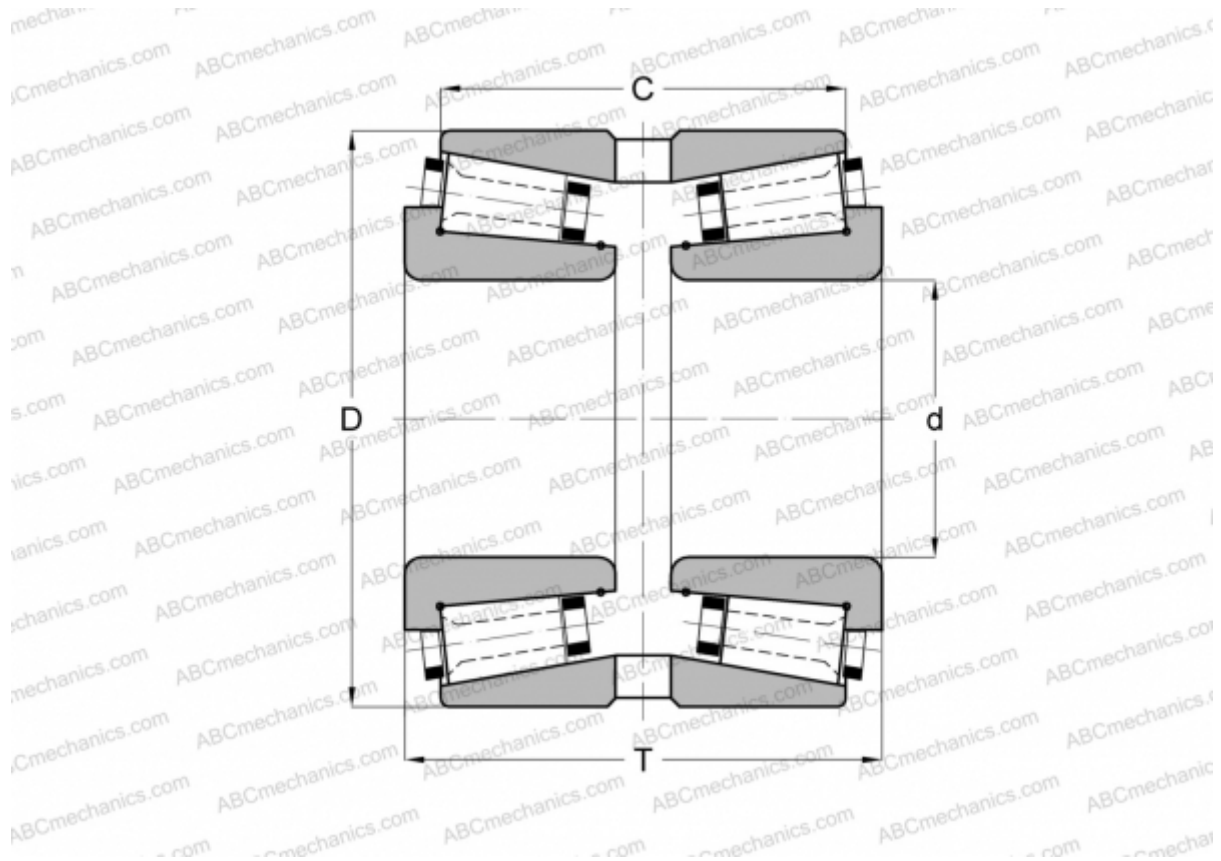


283203X/283317XG GAMET

Tapered roller bearings

TYPE: Roller bearings, Tapered, Precision, GAMET type G, double-row



Technical specification

DIMENSIONS, MM

d	203,200
D	317,500
T	156,000
C	121,070

WEIGHT, KG 35,300

MANUFACTURER [GAMET](#)