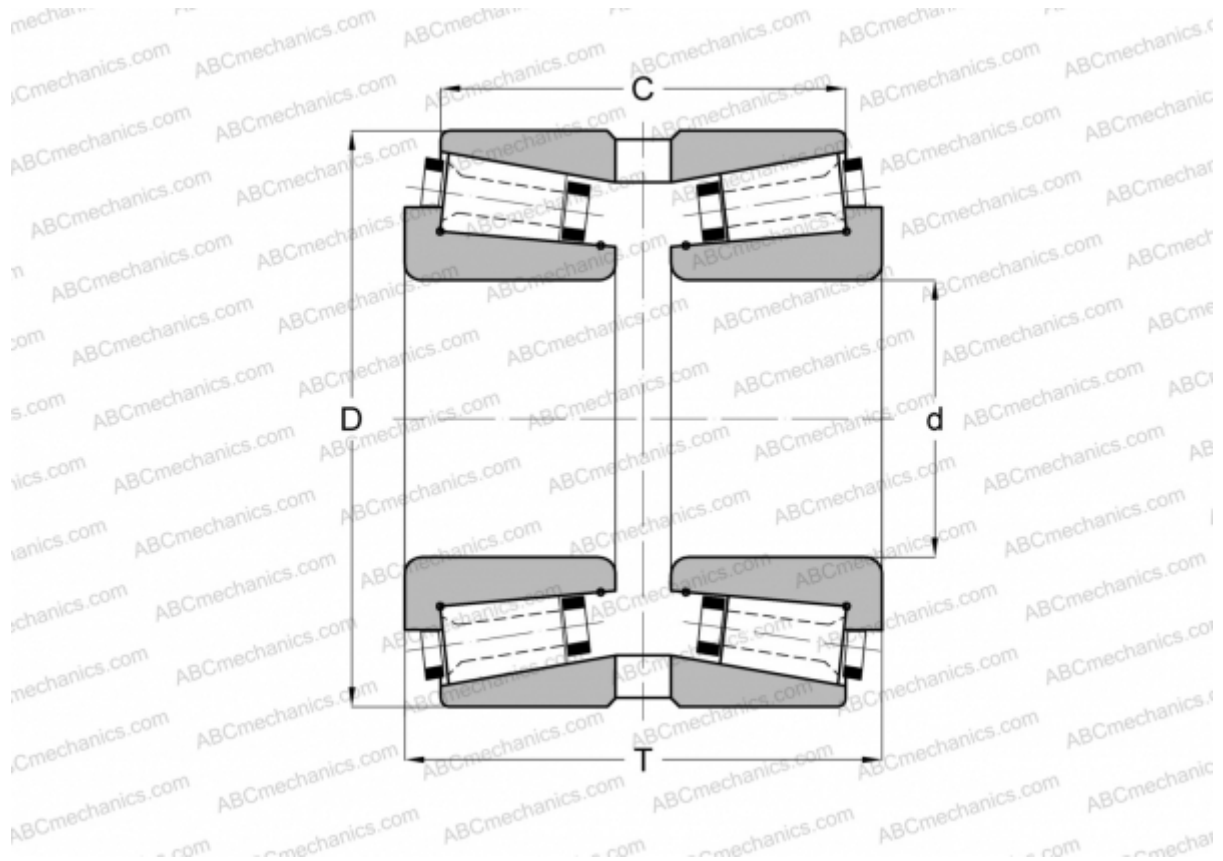


300457X/300596XG GAMET

Tapered roller bearings

TYPE: Roller bearings, Tapered, Precision, GAMET type G, double-row



Technical specification

DIMENSIONS, MM

| | |
|---|---------|
| d | 457,200 |
| D | 596,900 |
| T | 187,000 |
| C | 147,000 |

WEIGHT, KG 94,300

MANUFACTURER [GAMET](#)