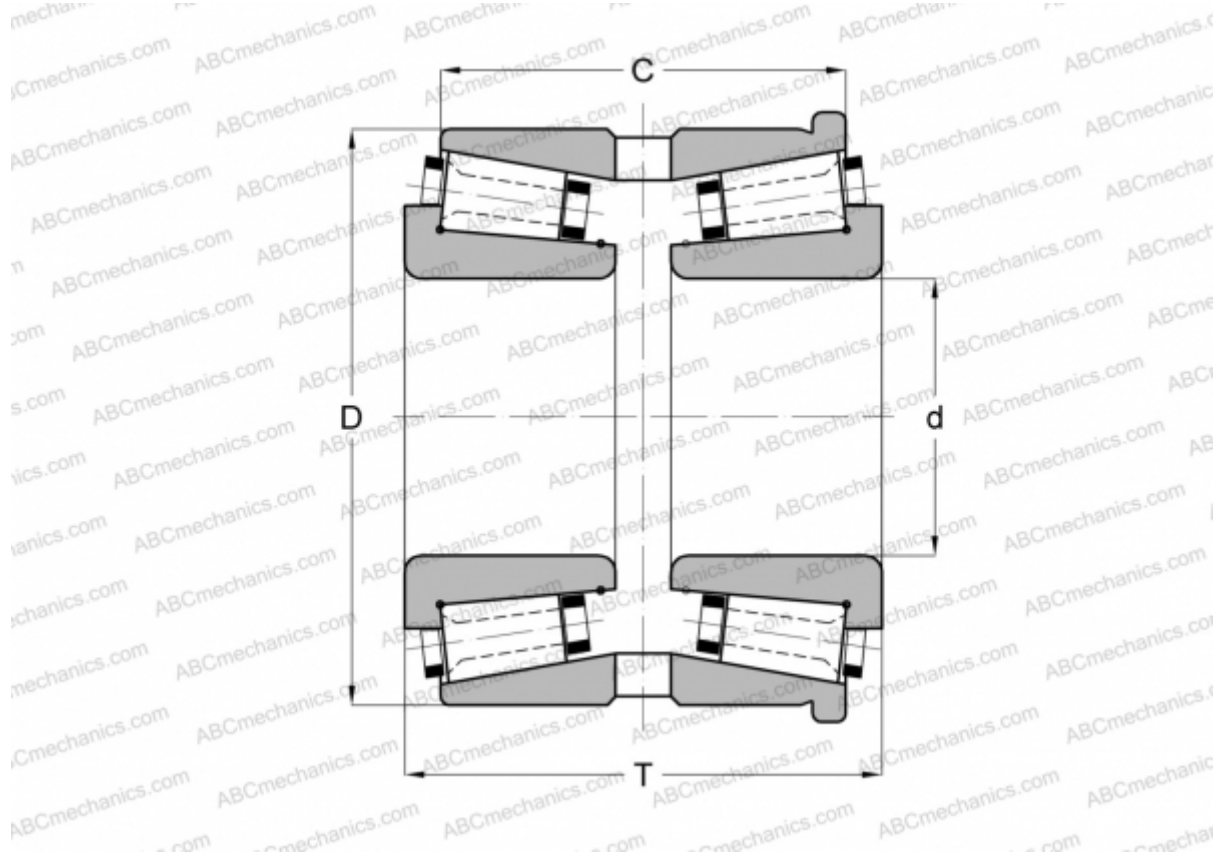


## 119045/119088XH GAMET

Tapered roller bearings

TYPE: Roller bearings, Tapered, Precision, GAMET type H, double-row, flanged cup



### Technical specification

#### DIMENSIONS, MM

d	45,000
D	88,900
T	62,000
C	55,660

**WEIGHT, KG** 1,190

**MANUFACTURER** [GAMET](#)