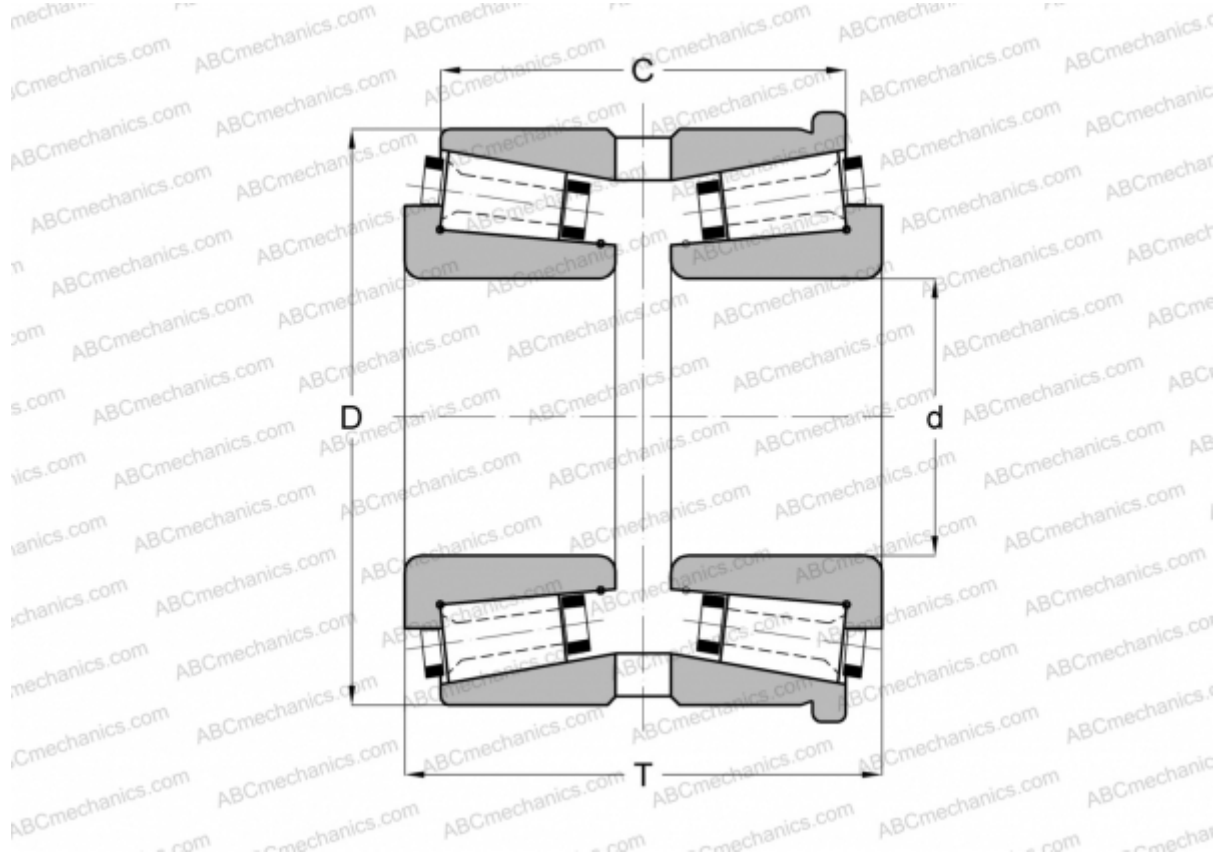


## 133075/133133XH GAMET

Tapered roller bearings

TYPE: Roller bearings, Tapered, Precision, GAMET type H, double-row, flanged cup



### Technical specification

#### DIMENSIONS, MM

|   |         |
|---|---------|
| d | 75,000  |
| D | 133,350 |
| T | 73,000  |
| C | 60,500  |

**WEIGHT, KG** 3,300

**MANUFACTURER** [GAMET](#)