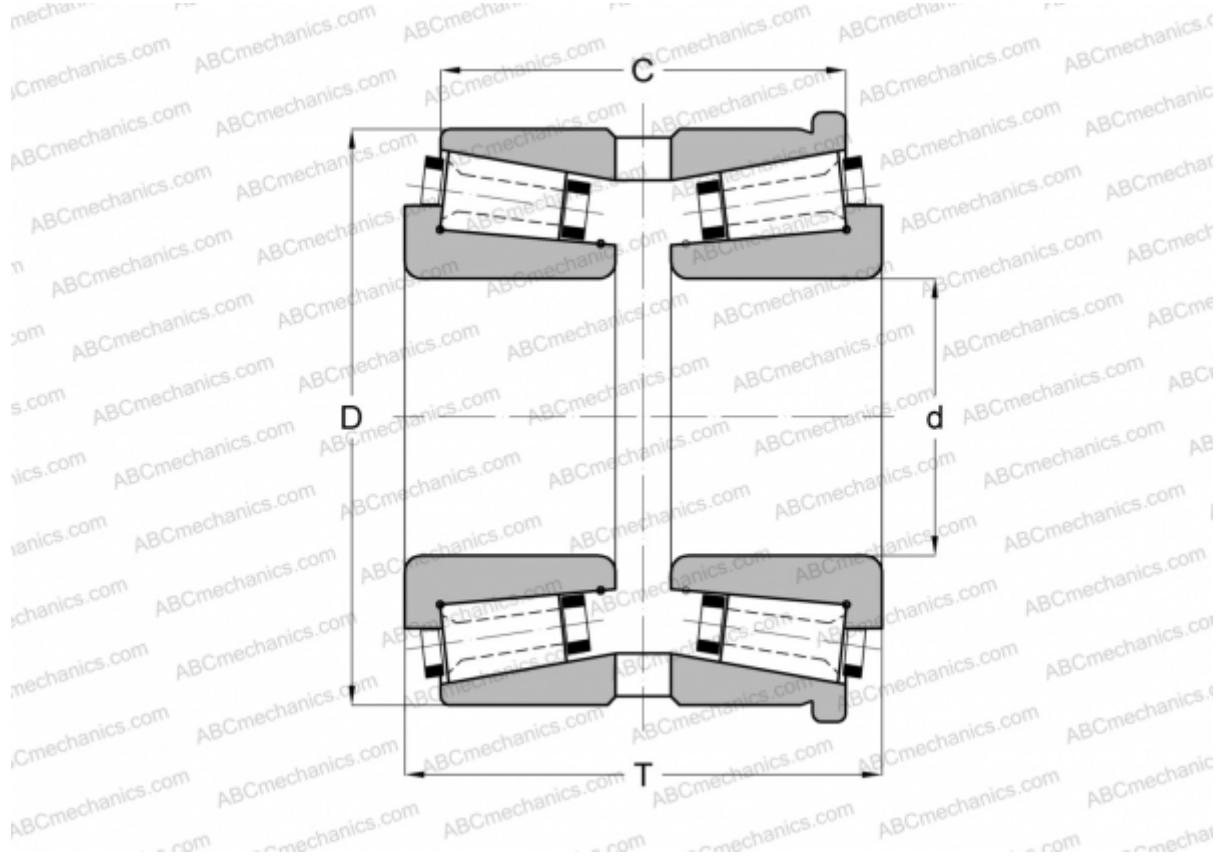


133075/133136XH GAMET

Tapered roller bearings

TYPE: Roller bearings, Tapered, Precision, GAMET type H, double-row, flanged cup



Technical specification

DIMENSIONS, MM

| | |
|---|---------|
| d | 75,000 |
| D | 136,525 |
| T | 73,000 |
| C | 60,500 |

WEIGHT, KG 3,300

MANUFACTURER [GAMET](#)