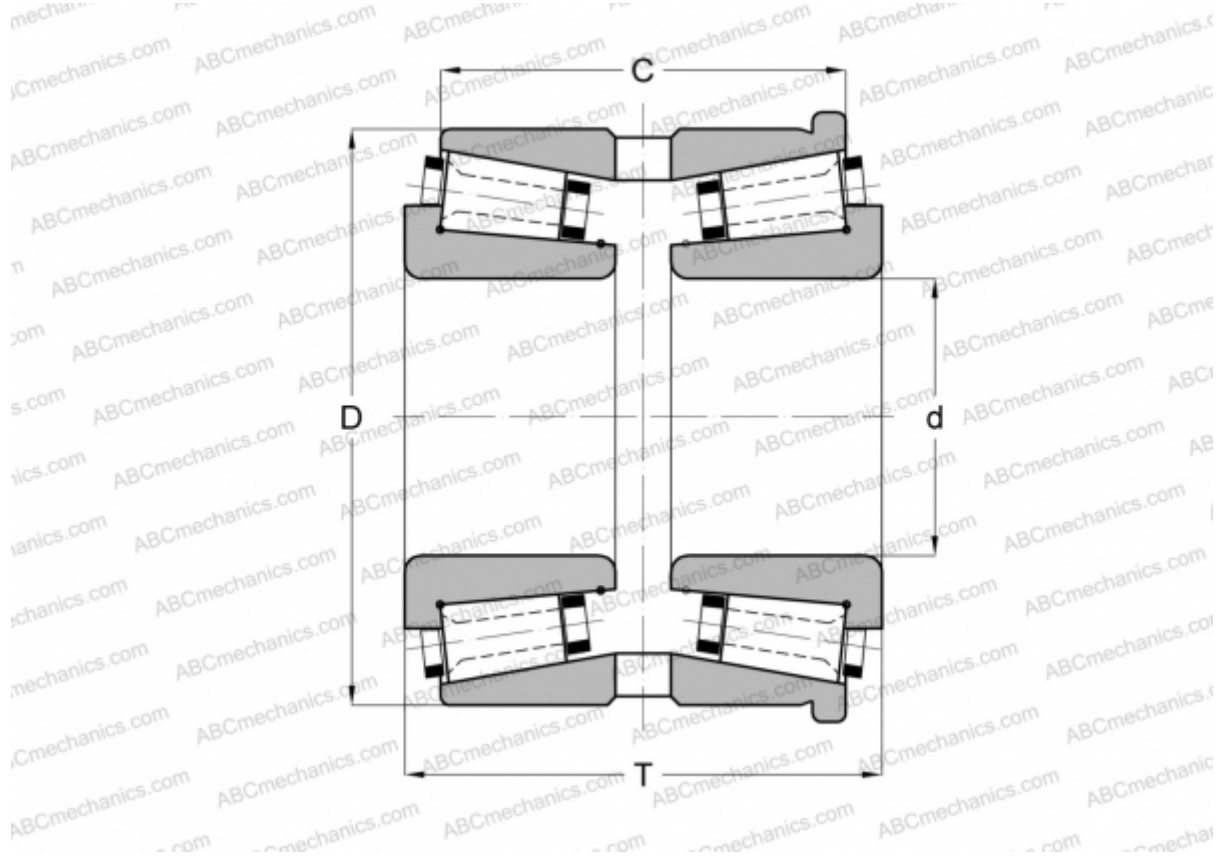


123077X/123123XH GAMET

Tapered roller bearings

TYPE: Roller bearings, Tapered, Precision, GAMET type H, double-row, flanged cup



Technical specification

DIMENSIONS, MM

| | |
|---|---------|
| d | 77,788 |
| D | 123,825 |
| T | 64,000 |
| C | 49,700 |

WEIGHT, KG 2,250

MANUFACTURER [GAMET](#)