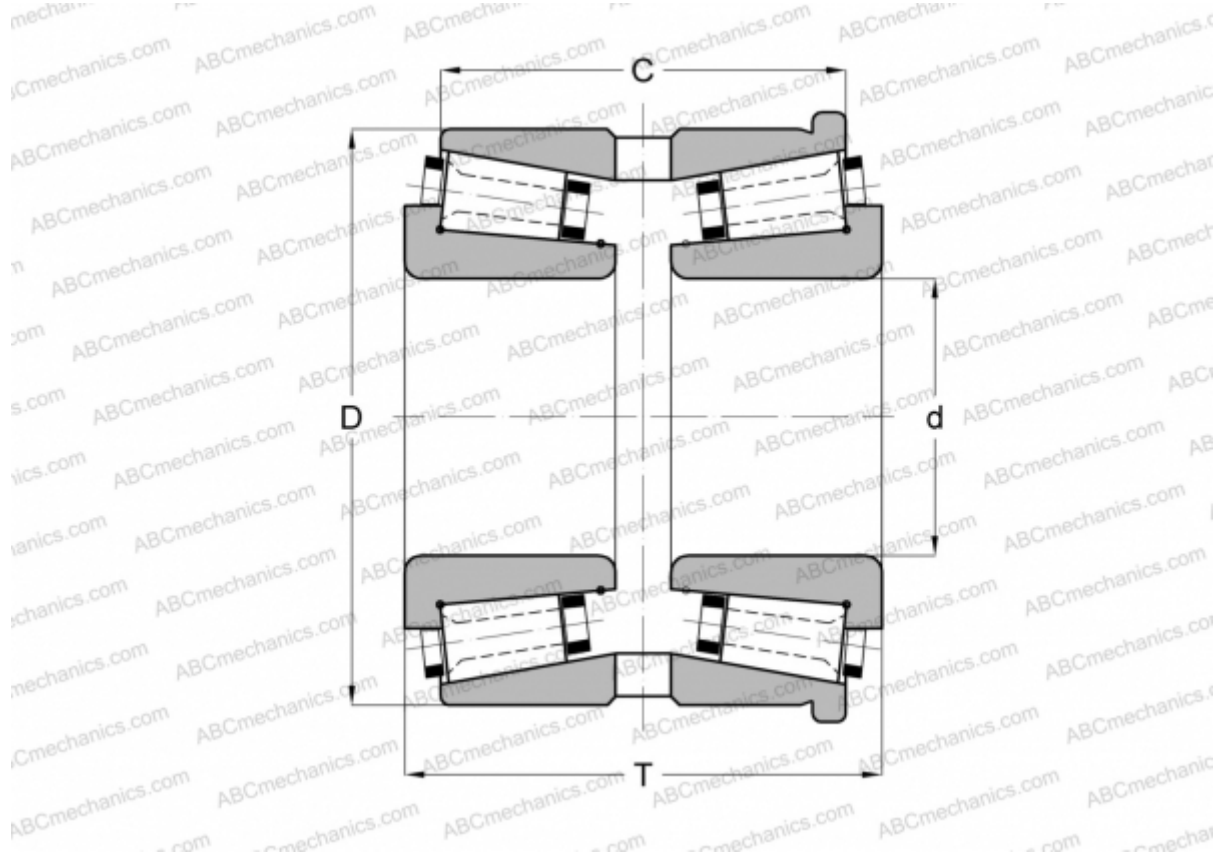


160098X/160160H GAMET

Tapered roller bearings

TYPE: Roller bearings, Tapered, Precision, GAMET type H, double-row, flanged cup



Technical specification

DIMENSIONS, MM

d	98,425
D	160,000
T	92,000
C	75,800

WEIGHT, KG 5,150

MANUFACTURER [GAMET](#)