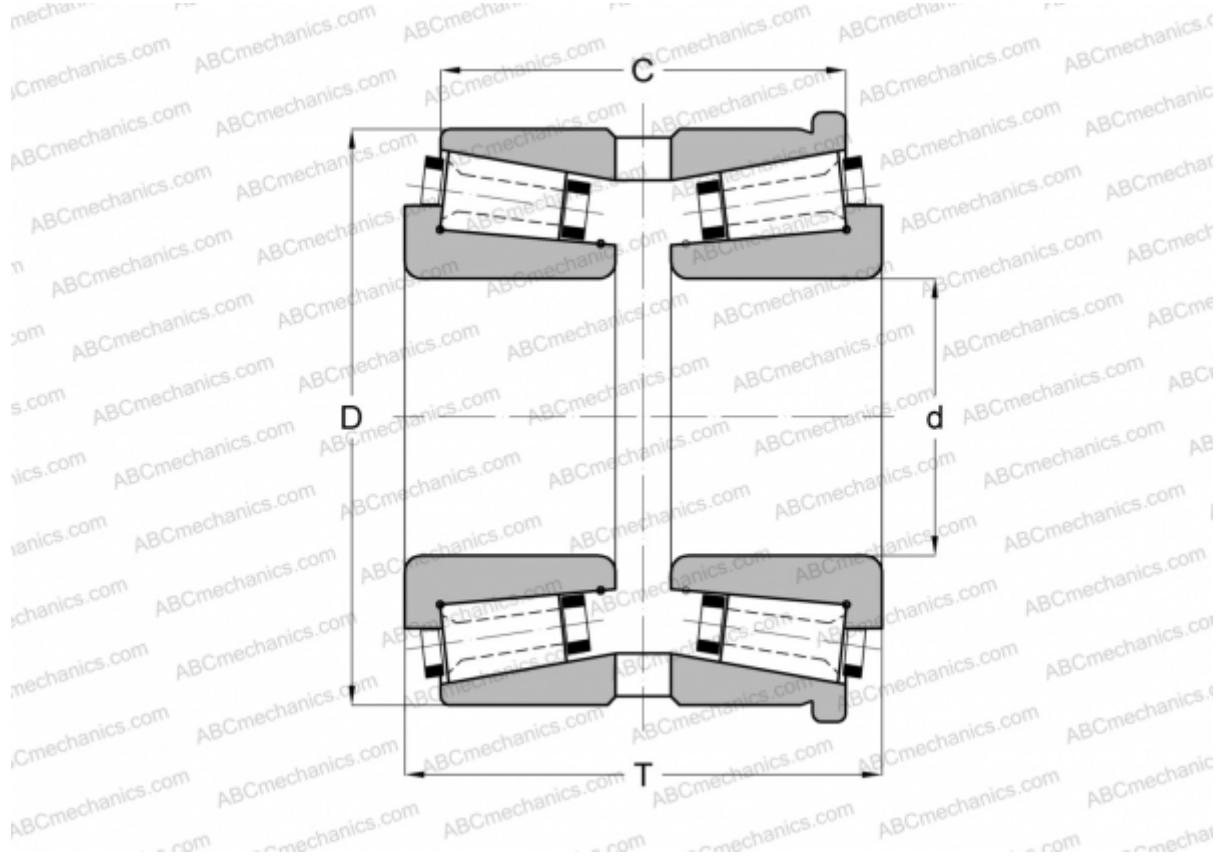


## 184120/184199H GAMET

Tapered roller bearings

TYPE: Roller bearings, Tapered, Precision, GAMET type H, double-row, flanged cup



### Technical specification

#### DIMENSIONS, MM

d	120,000
D	199,000
T	108,000
C	82,600

**WEIGHT, KG** 8,800

**MANUFACTURER** [GAMET](#)