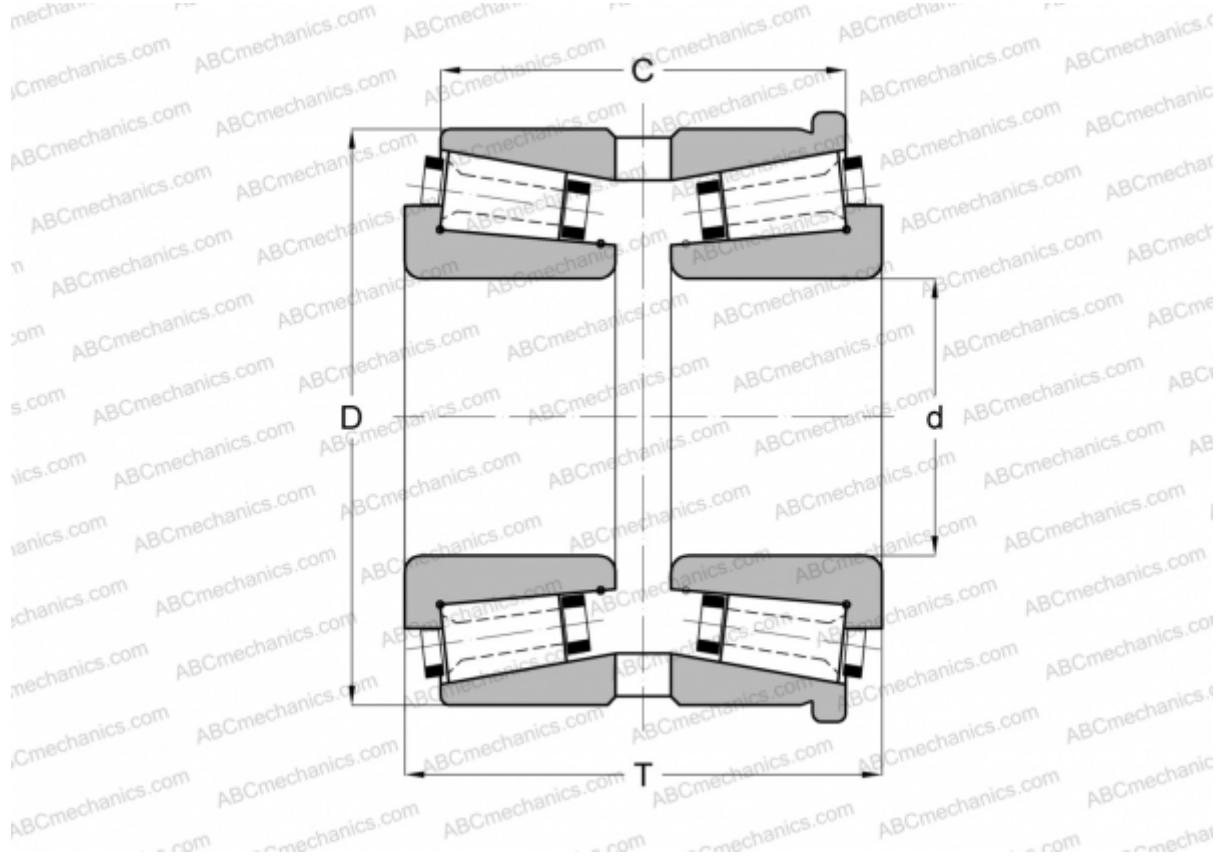


## 200127X/200215H GAMET

Tapered roller bearings

TYPE: Roller bearings, Tapered, Precision, GAMET type H, double-row, flanged cup



### Technical specification

#### DIMENSIONS, MM

d	127,000
D	215,000
T	110,000
C	92,000

**WEIGHT, KG** 13,900

**MANUFACTURER** [GAMET](#)