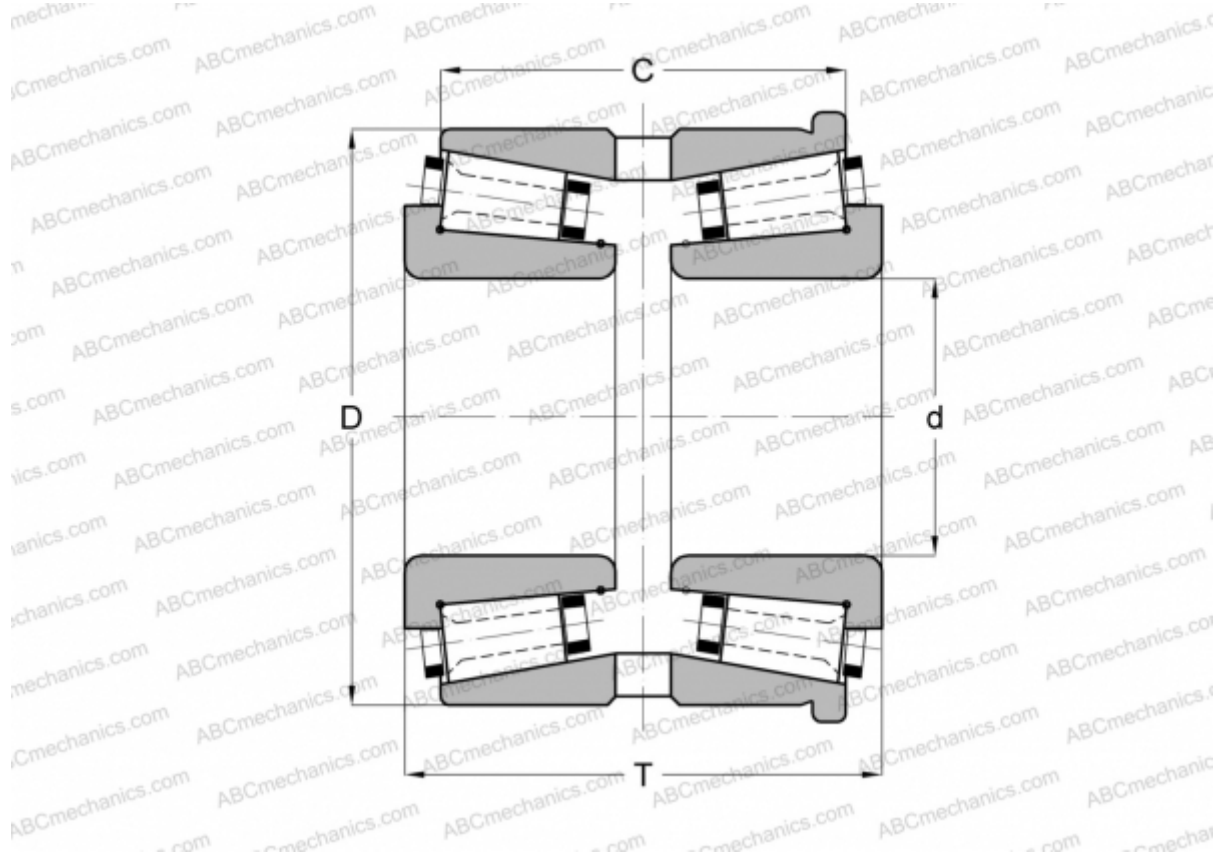


161140/161200XHS GAMET

Tapered roller bearings

TYPE: Roller bearings, Tapered, Precision, GAMET type H, double-row, flanged cup



Technical specification

DIMENSIONS, MM

d	140,000
D	200,025
T	92,300
C	78,000

WEIGHT, KG 10,000

MANUFACTURER [GAMET](#)