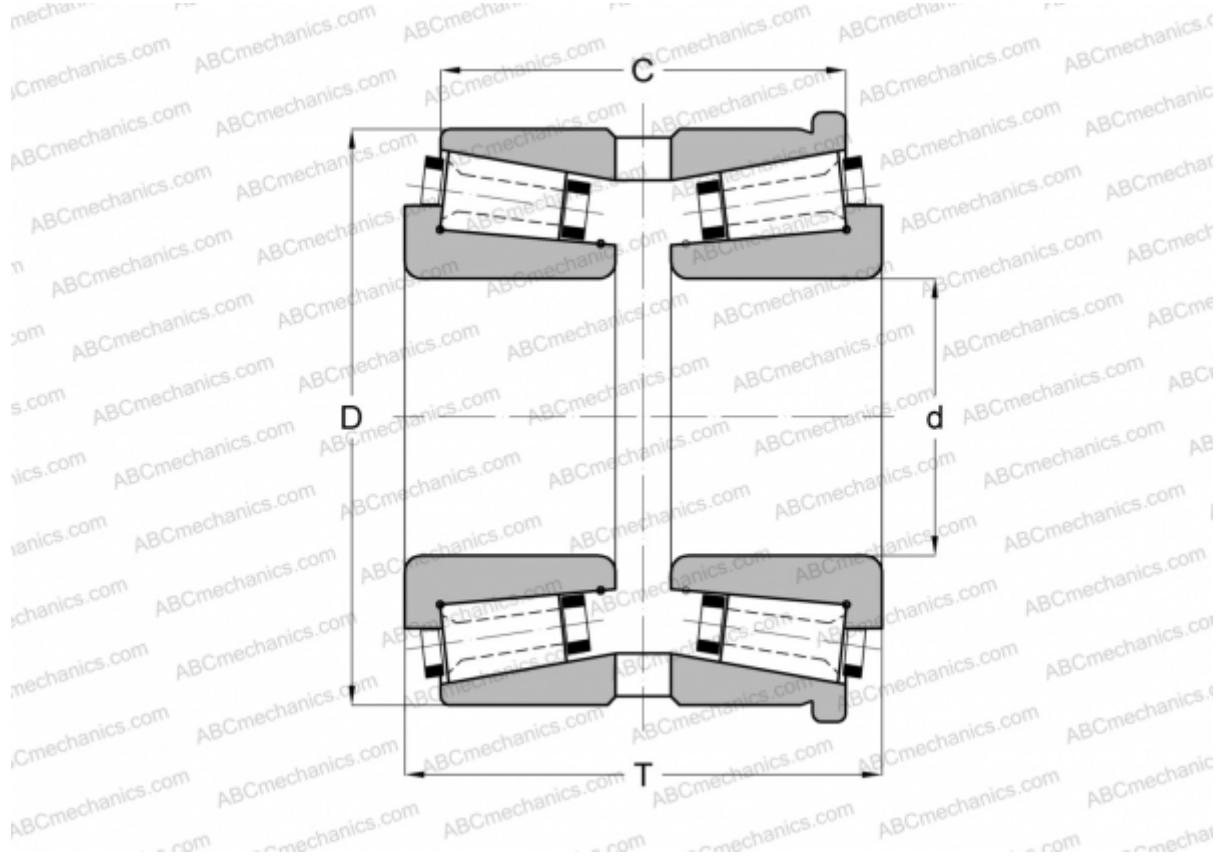


281152X/281254XH GAMET

Tapered roller bearings

TYPE: Roller bearings, Tapered, Precision, GAMET type H, double-row, flanged cup



Technical specification

DIMENSIONS, MM

d	152,400
D	254,000
T	155,000
C	116,900

WEIGHT, KG 25,600

MANUFACTURER [GAMET](#)