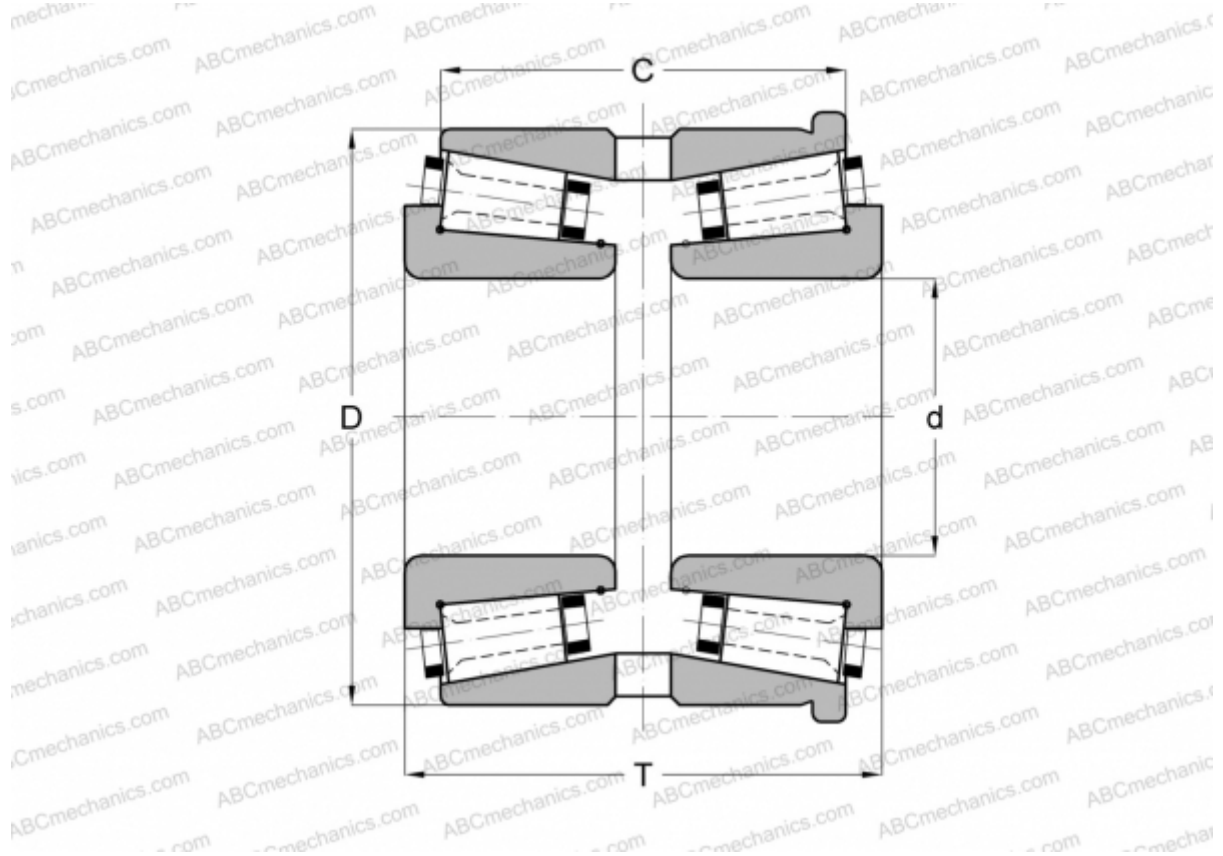


## 281155X/281254XH GAMET

Tapered roller bearings

TYPE: Roller bearings, Tapered, Precision, GAMET type H, double-row, flanged cup



### Technical specification

#### DIMENSIONS, MM

d	155,575
D	254,000
T	155,000
C	116,900

**WEIGHT, KG** 25,600

**MANUFACTURER** [GAMET](#)