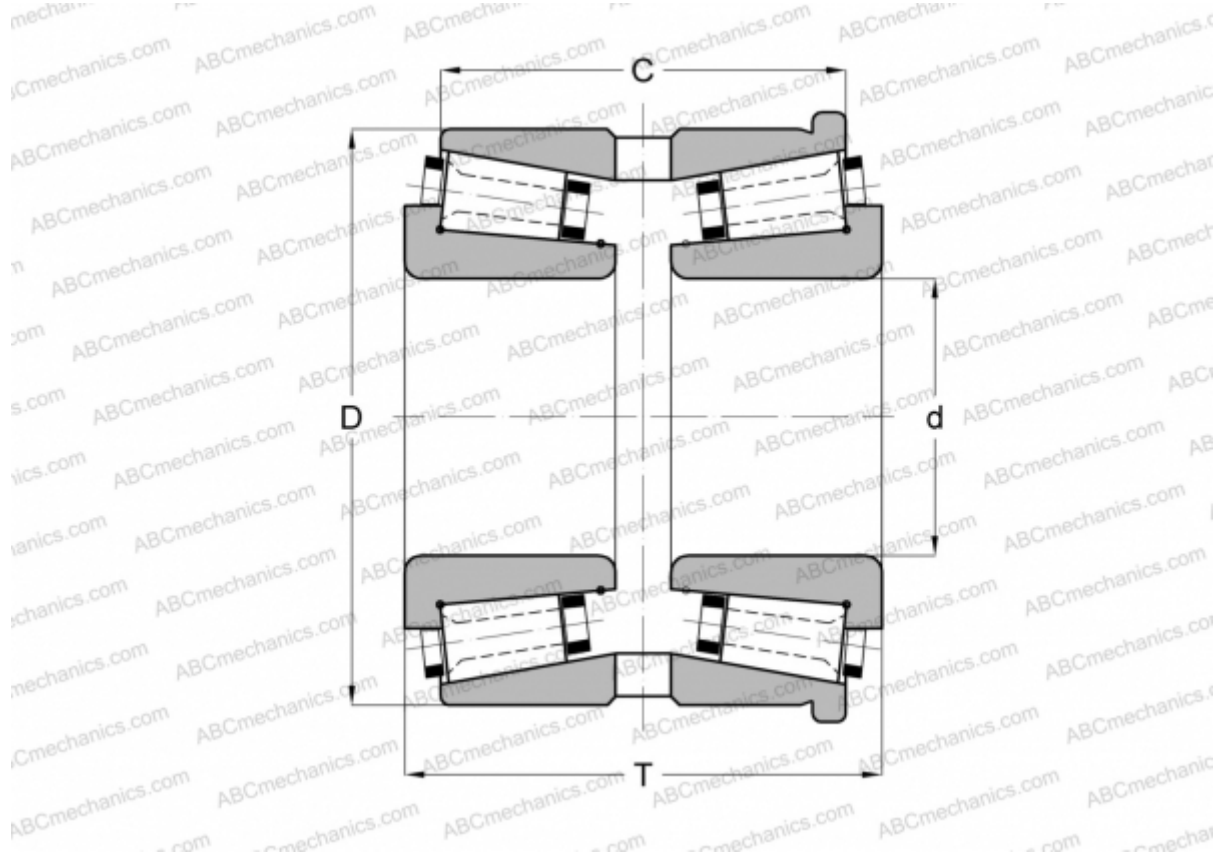


206210/206290H GAMET

Tapered roller bearings

TYPE: Roller bearings, Tapered, Precision, GAMET type H, double-row, flanged cup



Technical specification

DIMENSIONS, MM

d	210,000
D	290,000
T	114,000
C	96,000

WEIGHT, KG 17,300

MANUFACTURER [GAMET](#)