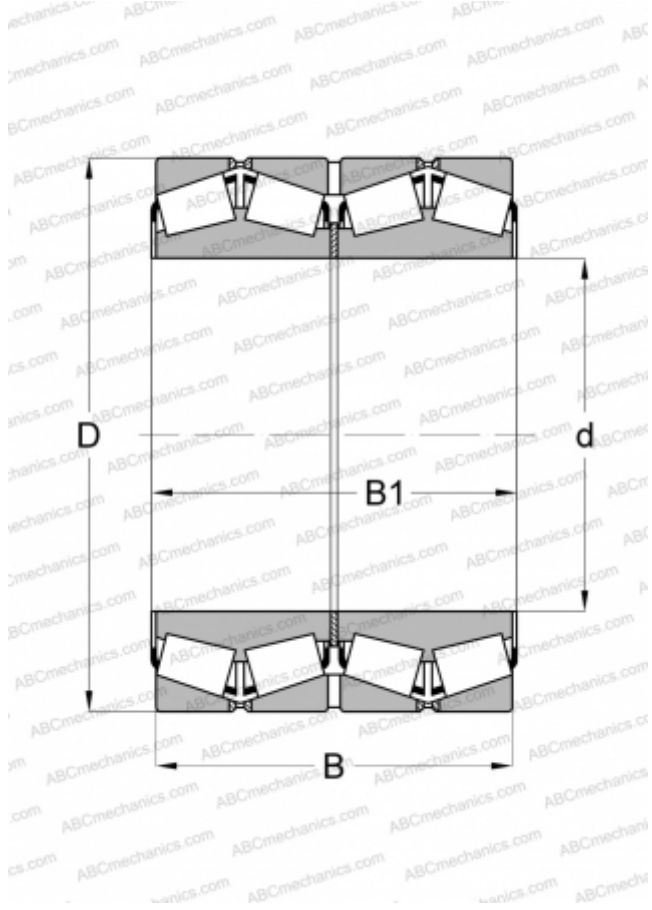


## 509680 FAG

Tapered roller bearings

TYPE: Roller bearings, Tapered, Four row, Inch size, design 1 (FAG)



### Technical specification

#### DIMENSIONS, MM

d	127,000
D	182,562
B	158,875
B1	158,875

#### WEIGHT, KG

14,000

#### MANUFACTURER

[FAG](#)

#### INTERCHANGE

TIMKEN	<a href="#">48290DW.220.220D</a>
--------	----------------------------------