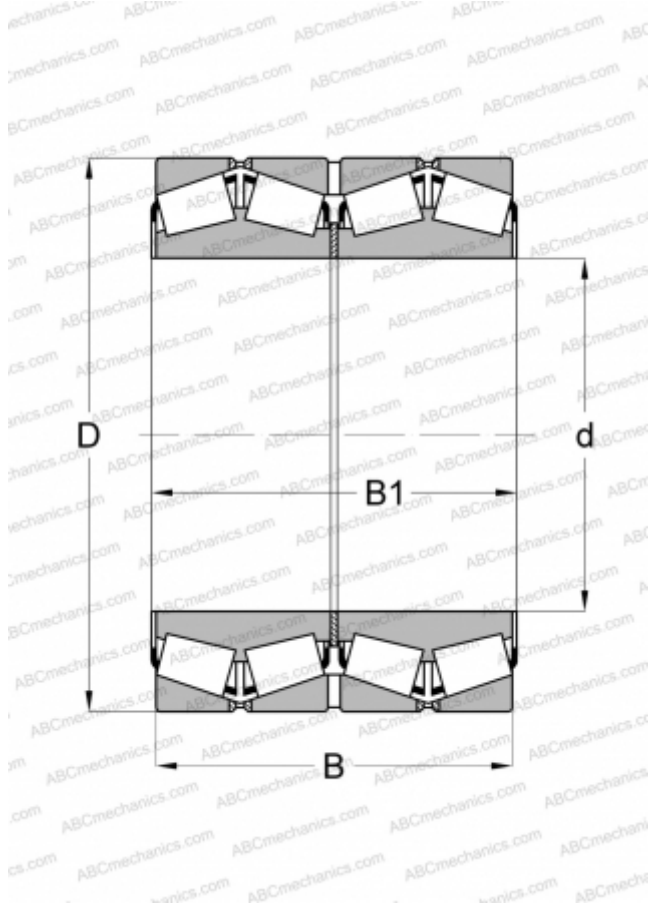


802117 FAG

Tapered roller bearings

TYPE: Roller bearings, Tapered, Four row, Inch size, design 1 (FAG)



Technical specification

DIMENSIONS, MM

d	177,800
D	247,650
B	192,088
B1	192,088

WEIGHT, KG

28,400

MANUFACTURER

[FAG](#)

INTERCHANGE

TIMKEN	67791DW.720.721D
--------	----------------------------------