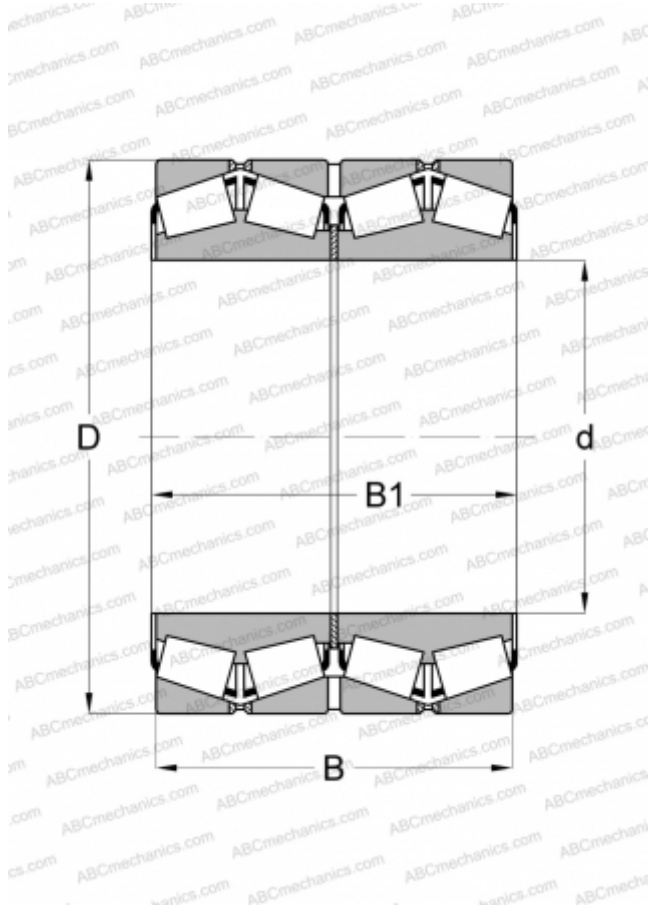


511115 FAG

Tapered roller bearings

TYPE: Roller bearings, Tapered, Four row, Inch size, design 1 (FAG)



Technical specification

DIMENSIONS, MM

d	228,600
D	355,600
B	260,350
B1	266,700

WEIGHT, KG

101,000

MANUFACTURER

[FAG](#)

INTERCHANGE

TIMKEN

[EE130904DW.400.402D](#)