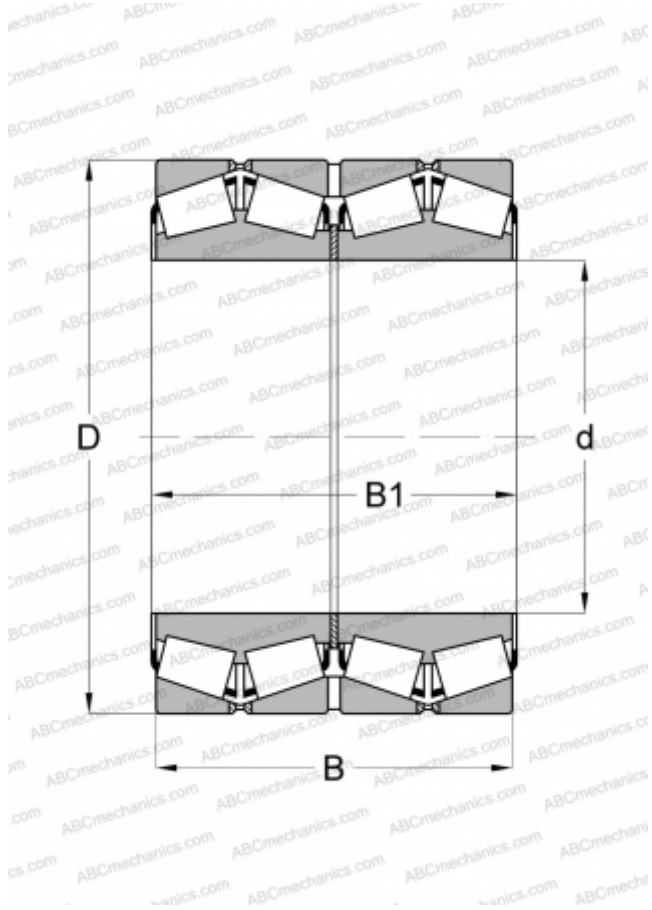


## 802115 FAG

Tapered roller bearings

TYPE: Roller bearings, Tapered, Four row, Inch size, design 1 (FAG)



### Technical specification

#### DIMENSIONS, MM

d	241,478
D	349,148
B	228,600
B1	228,600

#### WEIGHT, KG

72,000

#### MANUFACTURER

[FAG](#)

#### INTERCHANGE

TIMKEN

[EE127097DW.135.136D](#)