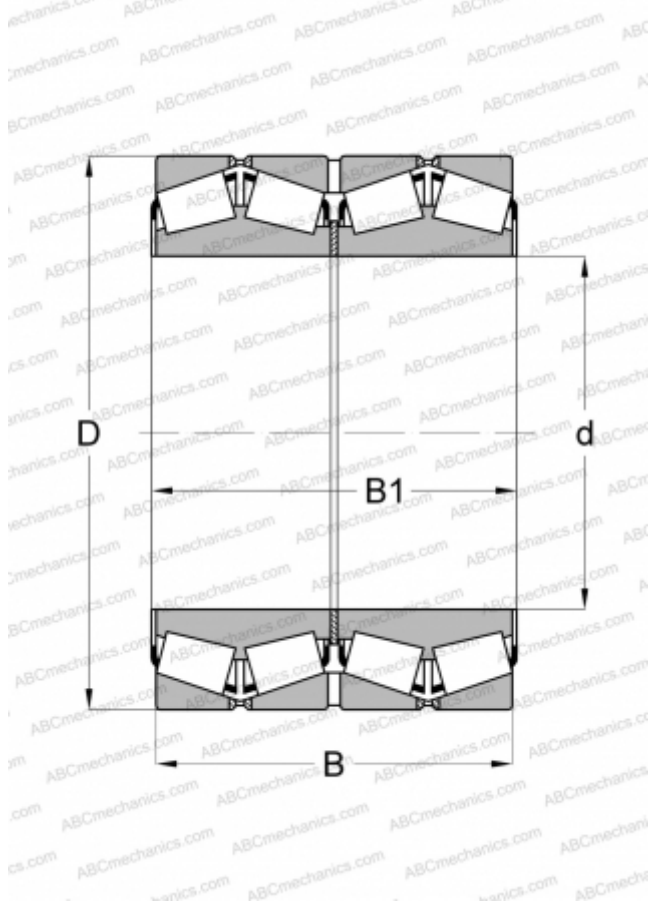


## 802228 FAG

Tapered roller bearings

TYPE: Roller bearings, Tapered, Four row, Inch size, design 1 (FAG)



### Technical specification

#### DIMENSIONS, MM

d	288,925
D	406,400
B	298,450
B1	298,450

#### WEIGHT, KG

125,000

#### MANUFACTURER

[FAG](#)

#### INTERCHANGE

TIMKEN

[M255449DW.410.410D](#)