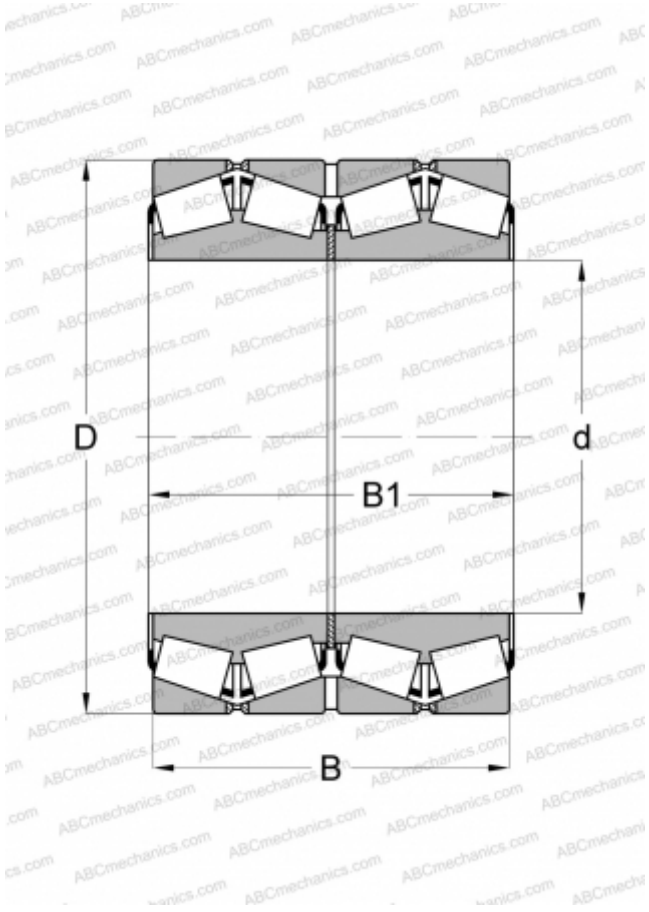


504415A FAG

Tapered roller bearings

TYPE: Roller bearings, Tapered, Four row, Inch size, design 1 (FAG)



Technical specification

DIMENSIONS, MM

d	304,648
D	438,048
B	279,400
B1	280,990

WEIGHT, KG

131,000

MANUFACTURER

[FAG](#)

INTERCHANGE

TIMKEN

[M757448DW.410.410D](#)