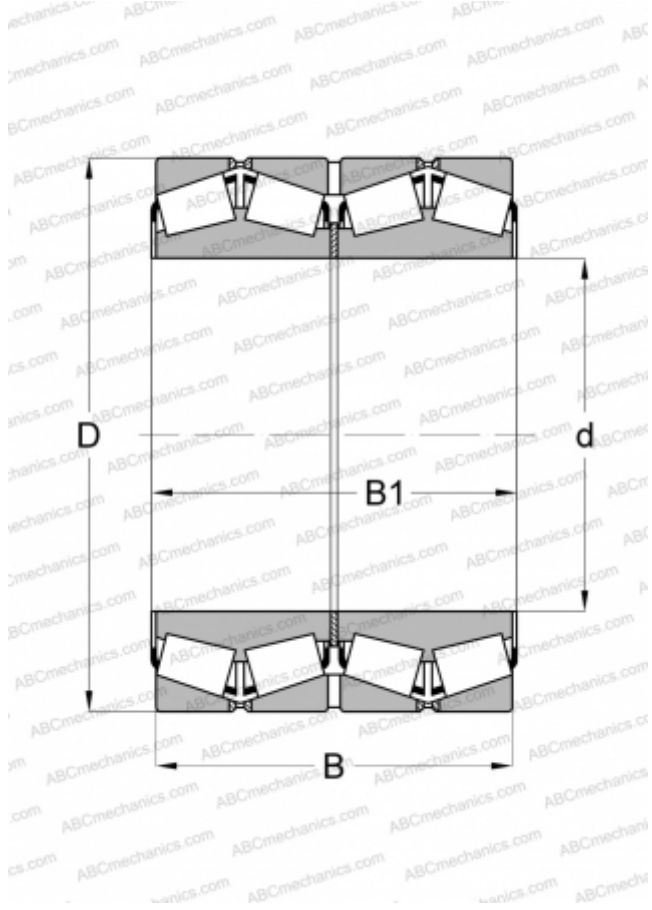


531883 FAG

Tapered roller bearings

TYPE: Roller bearings, Tapered, Four row, Inch size, design 1 (FAG)



Technical specification

DIMENSIONS, MM

d	330,200
D	444,500
B	301,625
B1	301,625

WEIGHT, KG

136,000

MANUFACTURER

[FAG](#)

INTERCHANGE

TIMKEN

[M260149DW.110.110D](#)