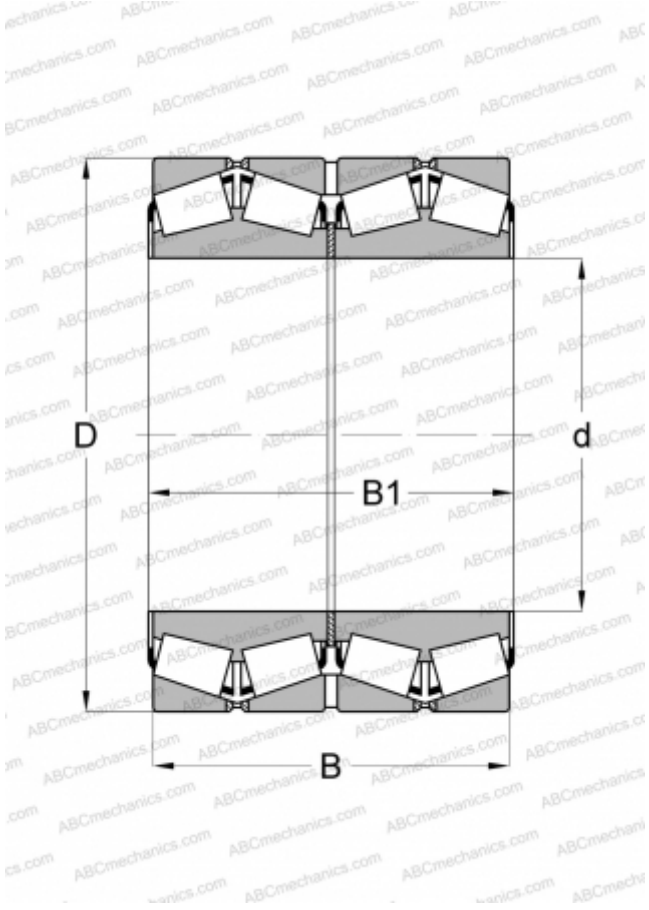


802022 FAG

Tapered roller bearings

TYPE: Roller bearings, Tapered, Four row, Inch size, design 1 (FAG)



Technical specification

DIMENSIONS, MM

d	355,600
D	482,600
B	269,875
B1	265,112

WEIGHT, KG

142,000

MANUFACTURER

[FAG](#)

INTERCHANGE

TIMKEN

[LM763449DW.410.410D](#)