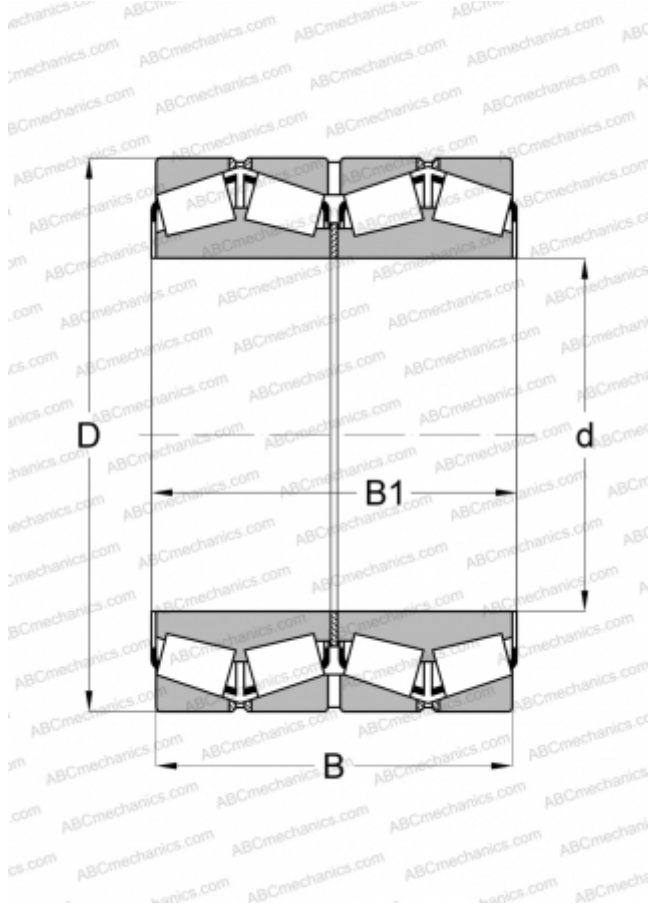


802251 FAG

Tapered roller bearings

TYPE: Roller bearings, Tapered, Four row, Inch size, design 1 (FAG)



Technical specification

DIMENSIONS, MM

d	384,175
D	546,100
B	400,050
B1	400,050

WEIGHT, KG

309,000

MANUFACTURER

[FAG](#)

INTERCHANGE

TIMKEN

[HM266449DW.410.410D](#)