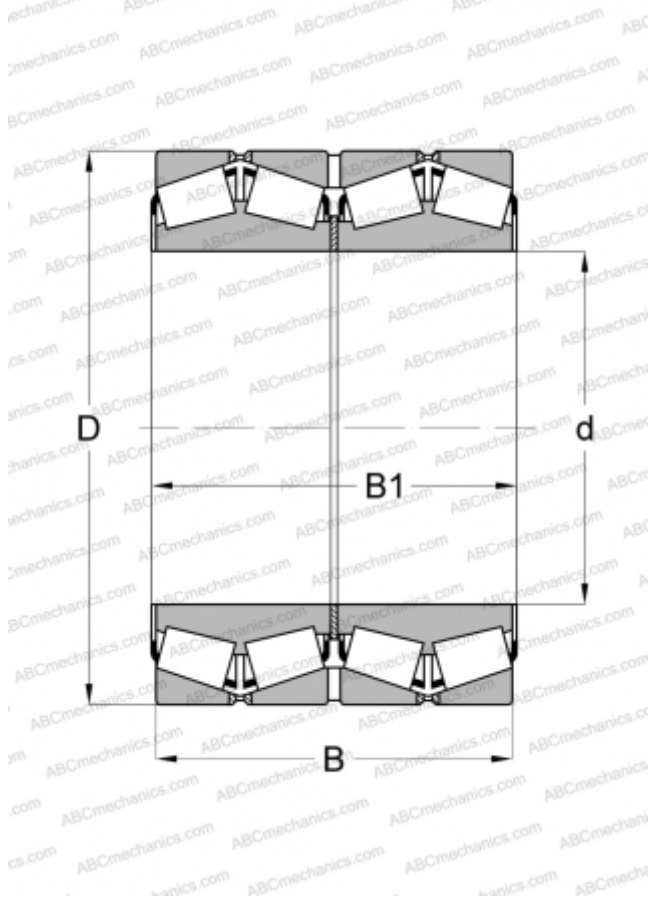


802098 FAG

Tapered roller bearings

TYPE: Roller bearings, Tapered, Four row, Inch size, design 1 (FAG)



Technical specification

DIMENSIONS, MM

d	457,200
D	596,900
B	279,400
B1	276,225

WEIGHT, KG

197,000

MANUFACTURER

[FAG](#)

INTERCHANGE

TIMKEN

[L770847DW.810.810D](#)