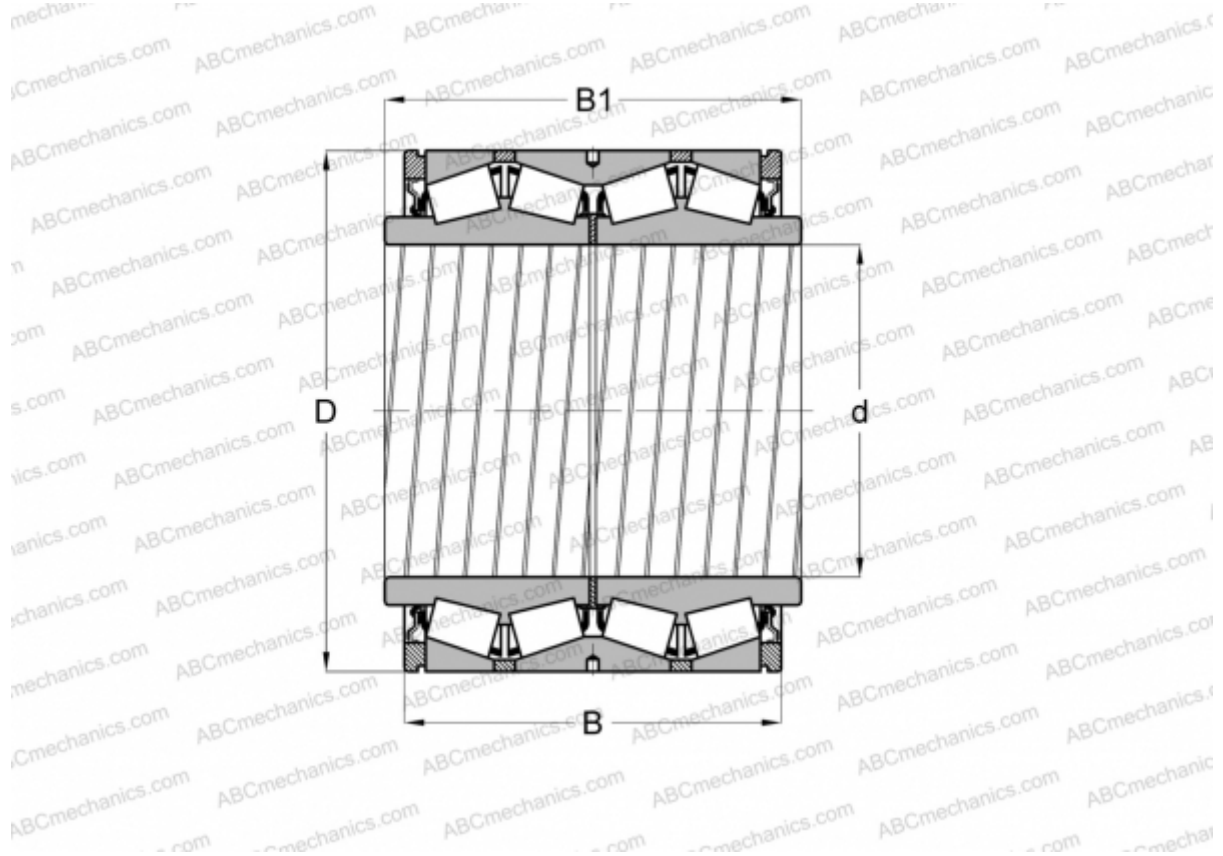


567640 FAG

Tapered roller bearings

TYPE: Roller bearings, Tapered, Four row, With integrated seals, design 3 (FAG)



Technical specification

DIMENSIONS, MM

d	304,902
D	412,648
B	266,700
B1	336,550

WEIGHT, KG 113,000

MANUFACTURER [FAG](#)