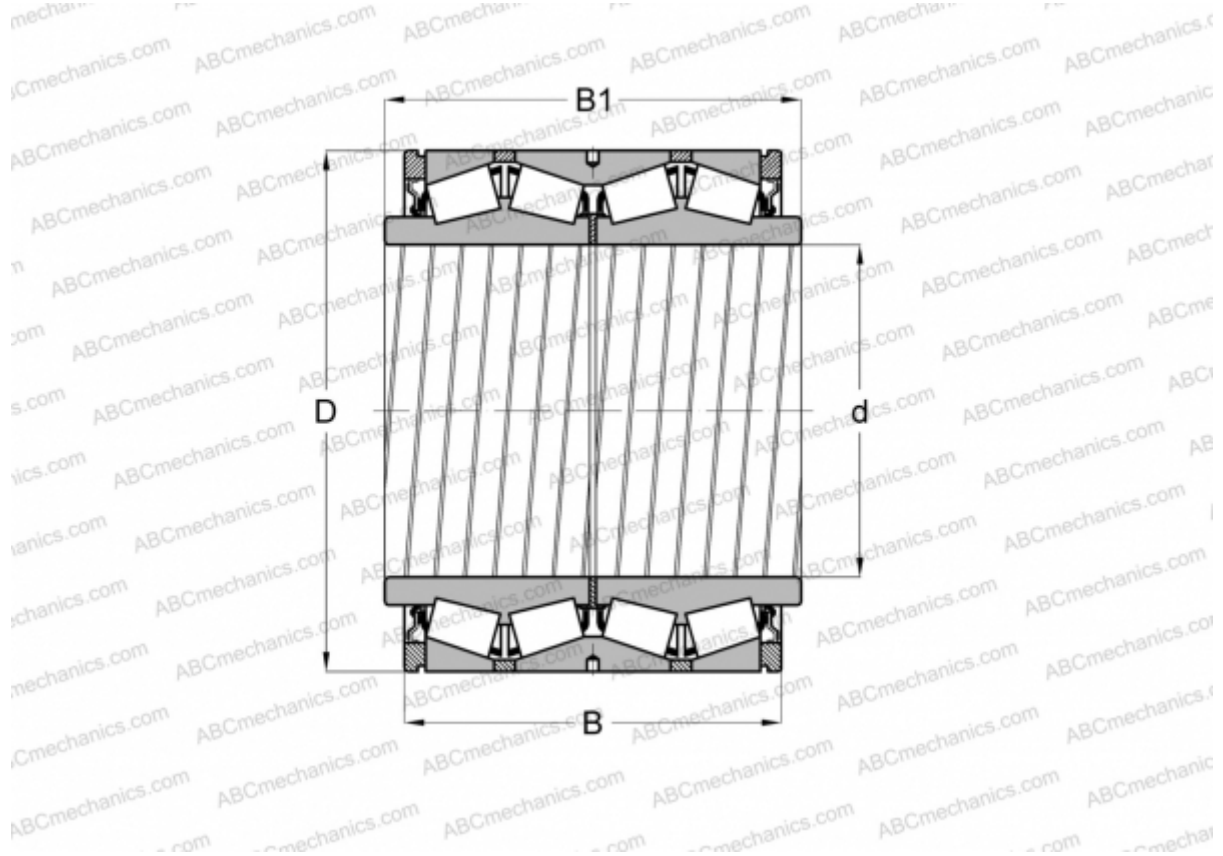


## 575032 FAG

Tapered roller bearings

TYPE: Roller bearings, Tapered, Four row, With integrated seals, design 3 (FAG)



### Technical specification

#### DIMENSIONS, MM

d	355,600
D	482,600
B	269,875
B1	330,200

**WEIGHT, KG** 152,000

**MANUFACTURER** [FAG](#)