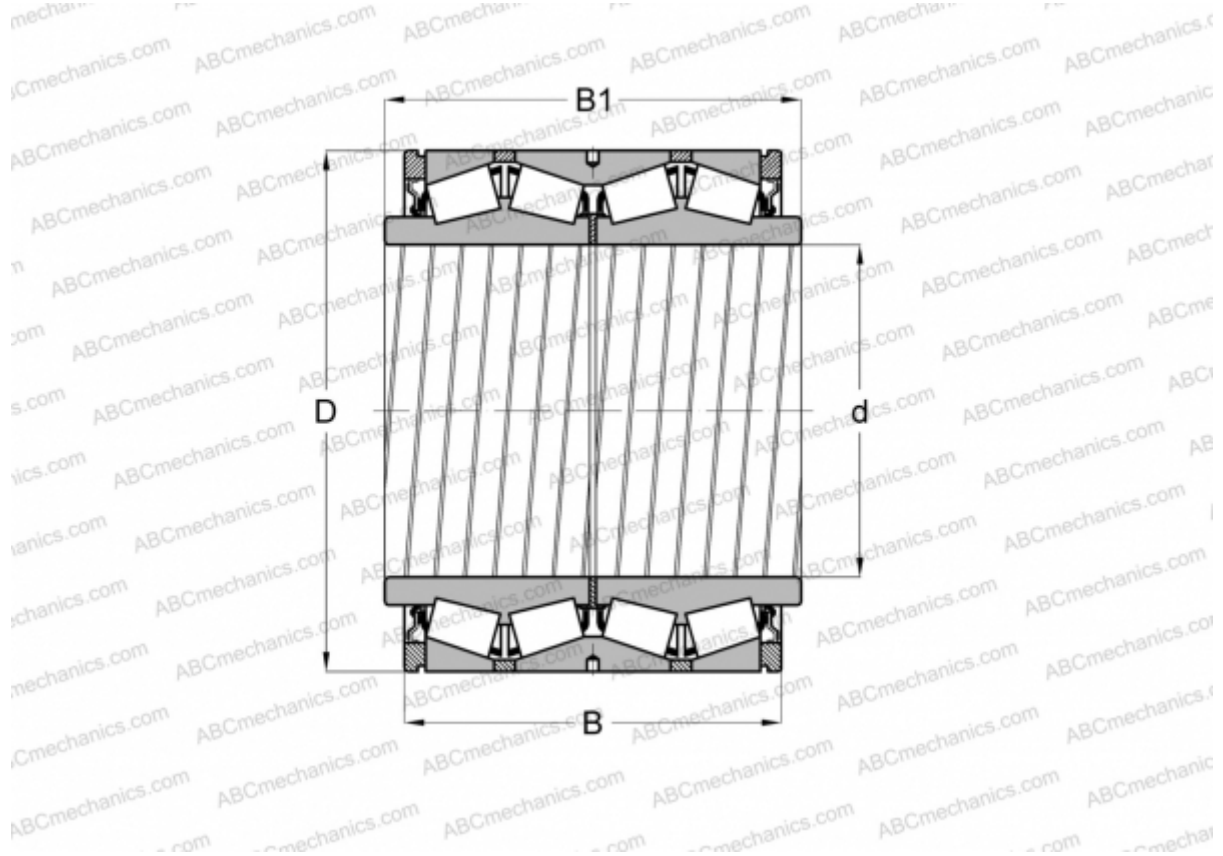


802149.H122AF FAG

Tapered roller bearings

TYPE: Roller bearings, Tapered, Four row, With integrated seals, design 3 (FAG)



Technical specification

DIMENSIONS, MM

d	482,600
D	615,950
B	377,825
B1	406,400

WEIGHT, KG 273,000

MANUFACTURER [FAG](#)