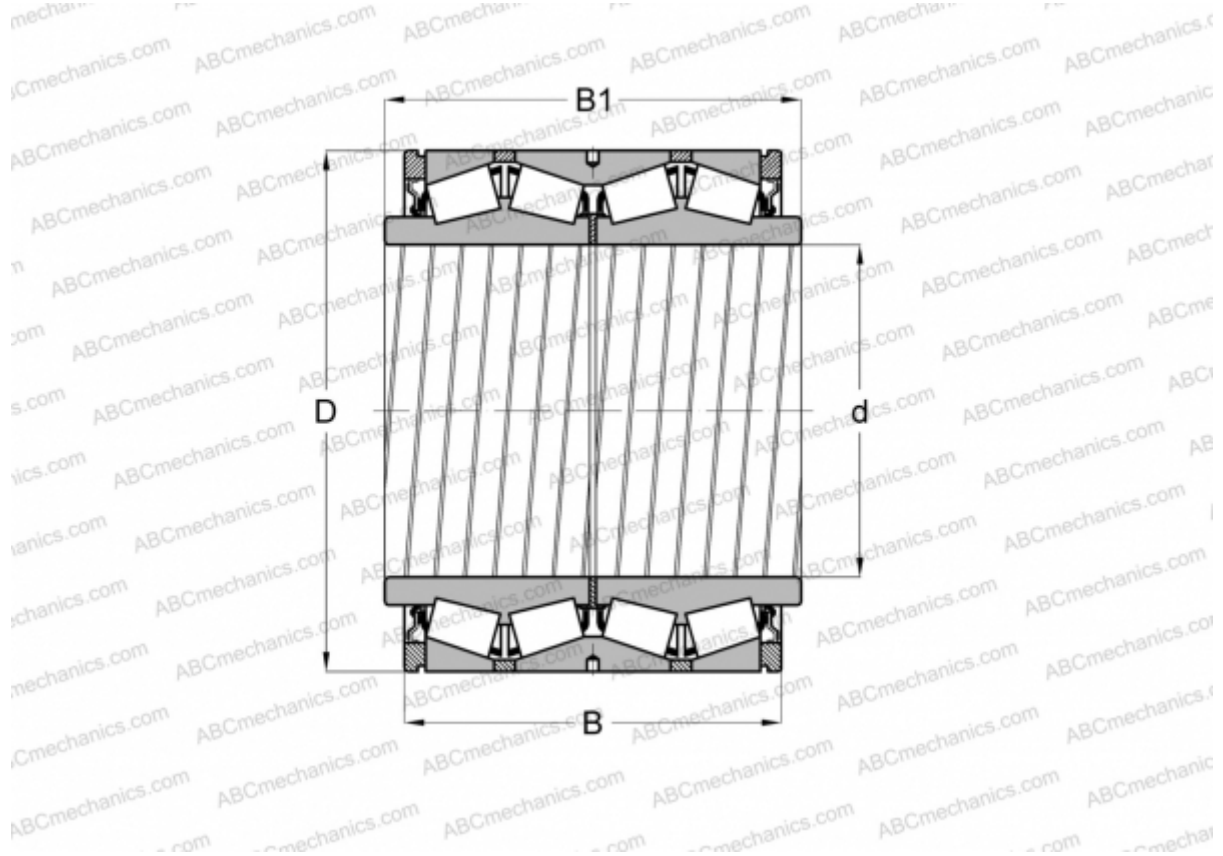


802143.H122AG FAG

Tapered roller bearings

TYPE: Roller bearings, Tapered, Four row, With integrated seals, design 3 (FAG)



Technical specification

DIMENSIONS, MM

d	482,600
D	615,950
B	330,200
B1	406,400

WEIGHT, KG 245,000

MANUFACTURER [FAG](#)