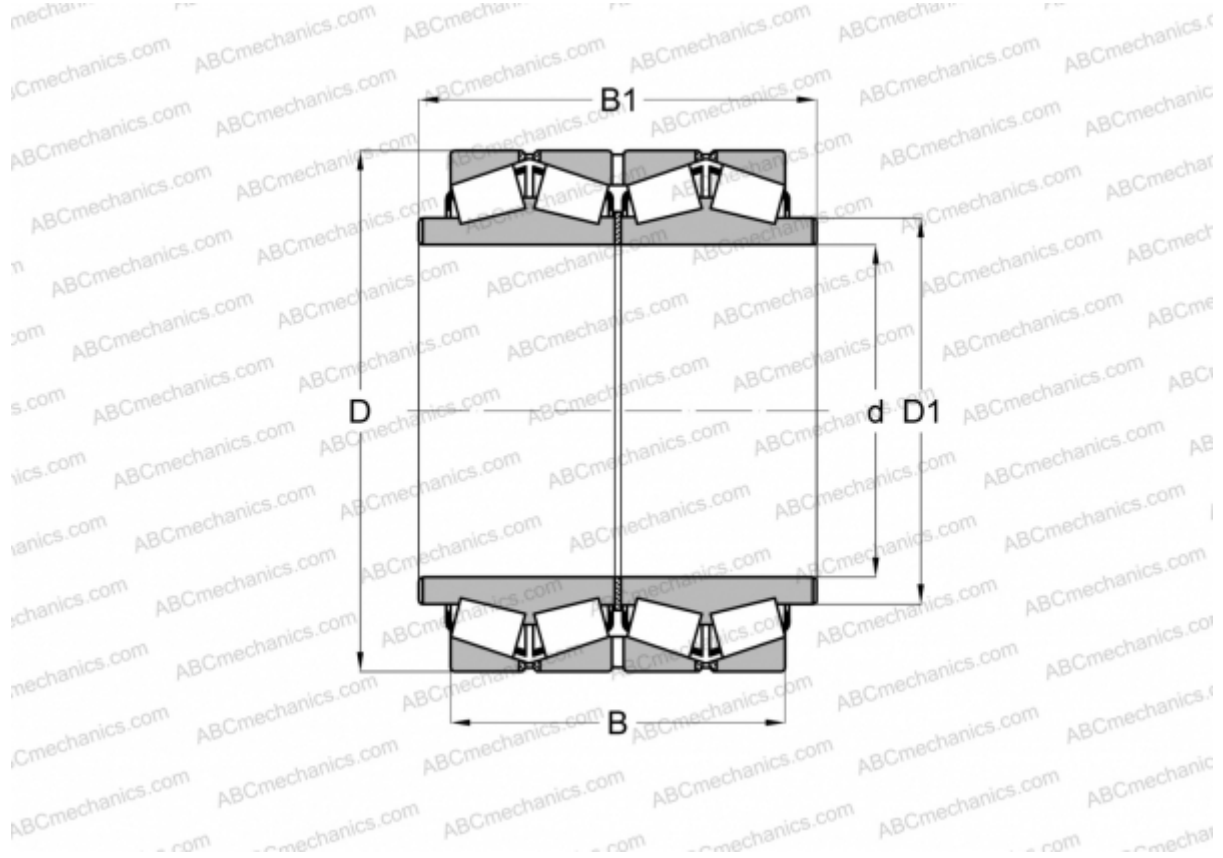


802120 FAG

Tapered roller bearings

TYPE: Roller bearings, Tapered, Four row, With extended cones (FAG)



Technical specification

DIMENSIONS, MM

d	355,600
D	457,200
D1	374,650
B	252,412
B1	323,850

WEIGHT, KG 110,000

MANUFACTURER [FAG](#)